

## IMPORTANT SAFETY INSTRUCTIONS SAVE THESE INSTRUCTIONS

# ! WARNING

PLEASE READ THE ENTIRE CONTENTS OF THIS MANUAL PRIOR TO INSTALLATION AND OPERATION. BY PROCEEDING WITH JACK INSTALLATION AND OPERATION YOU AGREE THAT YOU FULLY UNDERSTAND AND COMPREHEND THE FULL CONTENTS OF THIS MANUAL. FORWARD THIS MANUAL TO ALL OPERATORS. FAILURE TO OPERATE THIS EQUIPMENT AS DIRECTED MAY CAUSE INJURY OR DEATH.

MAN REV C 03-16-15  
P/N 5900395

## INSTALLATION AND OPERATION MANUAL

### 3,500 / 5,000 POUND CAPACITY QUICKJACK

#### MODELS:

**BL-3500** VER B

**BL-5000** VER B

### READ FIRST



Do not operate this machine until you read and understand all the dangers, warnings and cautions in this manual.



#### RECEIVING

The shipment should be thoroughly inspected as soon as it is received. The signed Bill of Lading is acknowledgement by the shipping carrier as receipt of this product as listed in your invoice as being in a good condition of shipment. If any of these goods listed on this Bill of Lading are missing or damaged, do not accept goods until the shipping carrier makes a notation on the freight bill of the missing or damaged goods. Do this for your own protection.

#### BE SAFE

Your new jack was designed and built with safety in mind. However, your overall safety can be increased with proper training and thoughtful operation on the part of the operator. **DO NOT** operate or repair this equipment without reading this manual and the important safety instructions shown inside. Keep this operation manual near the jack at all times. Make sure that ALL USERS read and understand this manual.

**QUICKJACK™**  
By Ranger Products

PATENTED. ALL RIGHTS RESERVED

1645 Lemonwood Dr.  
Santa Paula, CA. 93060, USA  
Toll Free 1-888-262-3880  
Tel: 1-805-421-5114  
www.quickjack.com

## CAR JACK SUPPORT SYSTEM

This instruction manual has been prepared especially for you. Your new jack is the product of over 40 years of continuous research, testing and development; it is the most technically advanced vehicle jack on the market today.

### READ THIS ENTIRE MANUAL BEFORE INSTALLATION & OPERATION BEGINS

The manner in which you care for and maintain your QuickJack™ will have a direct effect on its overall performance and longevity.

**RECORD HERE THE FOLLOWING INFORMATION WHICH IS LOCATED AT THE FRONT END OF YOUR MACHINE.**

<b>Model No.</b>	<input type="text"/>
<b>Serial No.</b>	<input type="text"/>
<b>Date of Mfg.</b>	<input type="text"/>

### PRODUCT WARRANTY

Our comprehensive product warranty means more than a commitment to you; it's also a commitment to the value of your new Ranger Product. For full warranty details and to register your new jack contact your nearest Ranger Products dealer or visit:

[www.quickjack.com](http://www.quickjack.com)

Your new QuickJack™ is covered under warranty for one year on equipment structure; one year on all operating components and tooling/accessories, to the original purchaser, to be free of defects in material and workmanship. The manufacturer shall repair or replace at their option for this period those parts returned to the factory freight prepaid which prove upon inspection to be defective. The manufacturer will pay labor costs for the first 12 months only on parts returned as previously described.

The warranty does not extend to...

- ◆ Defects caused by ordinary wear, abuse, misuse, negligence, shipping damage, improper installation, voltage or lack of required maintenance;
- ◆ Damages resulting from purchaser's neglect or failure to operate products in accordance with instructions provided in the owner's manual(s) and/or other accompanying instructions supplied;
- ◆ Normal wear items or service normally required to maintain the product in a safe operating condition;
- ◆ Any component damaged in shipment;
- ◆ Other items not listed but may be considered general wear parts;
- ◆ Damage caused by rain, excessive humidity, corrosive environments or other contaminants.

**THESE WARRANTIES DO NOT EXTEND TO ANY COSMETIC DEFECT NOT INTERFERING WITH EQUIPMENT FUNCTIONALITY OR ANY INCIDENTAL, INDIRECT, OR CONSEQUENTIAL LOSS, DAMAGE, OR EXPENSE THAT MAY RESULT FROM ANY DEFECT, FAILURE, OR MALFUNCTION OF A BENDPAK INC. / RANGER PRODUCT OR THE BREACH OR DELAY IN PERFORMANCE OF THE WARRANTY.**

#### NOTE:

Every effort has been taken to ensure complete and accurate instructions have been included in this manual, however, possible product updates, revisions and or changes may have occurred since this printing. Quickjack™ reserves the right to change specifications without incurring any obligation for equipment previously or subsequently sold.

# TABLE OF CONTENTS

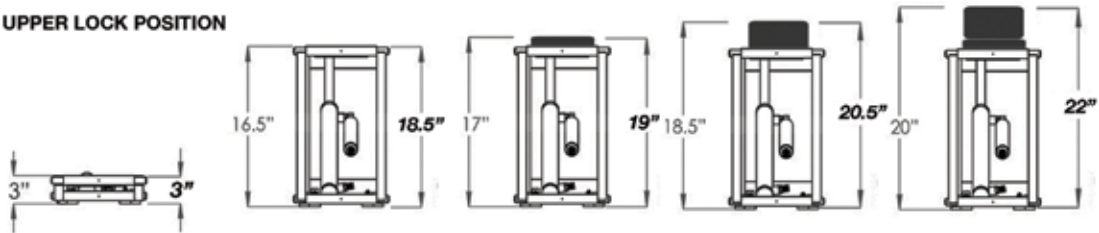
Product Warranty	2
Specifications	3
Definitions of Hazard Levels	4
Important Safety Instructions	5
Parts Inventory / Specifications	6
Tools Required / Getting Started	7
Selecting Site / Floor Requirements	7
Unpacking / Installing Cylinder Fittings	7
Installing Cylinder Fittings (Cont'd) / Installing Inflation Valves	8
Pressurizing Air Bottle Cylinders / Power Unit Assembly	9
Power Unit Assembly (Cont'd)	10
Filling Power Unit Reservoir / Preparing Hoses	11
Preparing Hoses (Cont'd)	11 - 12
Jack Preparation	13 - 14
Bleeding the Cylinders	14
Bleeding the Cylinders (Cont'd) / Operation and Use	15
Typical Jacking Points / To Raise Jack Frames	16
To Raise Jack Frames (Cont'd) / To Lower Jack Frames	16 - 18
Important Operating / Maintenance Instructions	19 - 20
Parts Breakdowns	21 - 27

# SPECIFICATIONS

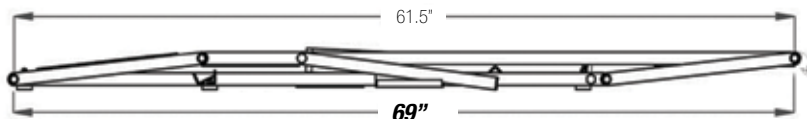
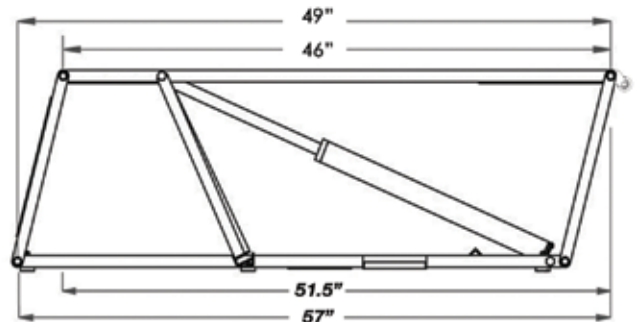
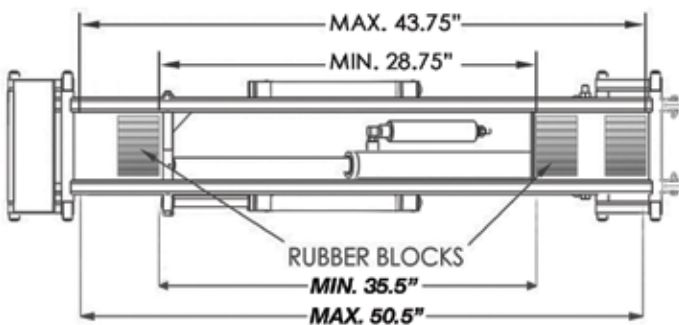
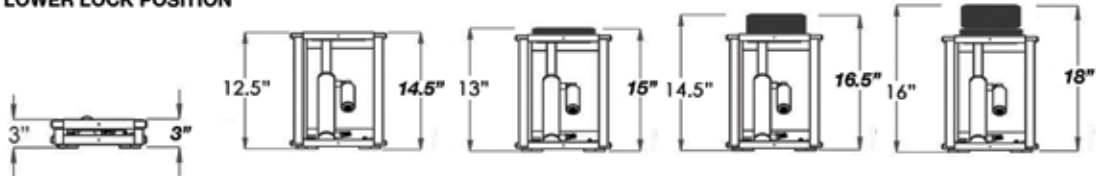
**QUICKJACK™**  
By Ranger Products

■ BL-3500 ■ BL-5000 ■

**UPPER LOCK POSITION**



**LOWER LOCK POSITION**



BL-3500 ■  
BL-5000 ■

## IMPORTANT NOTICE

Stay clear of any moving parts that can fall and cause injury. These instructions must be followed to insure proper installation and operation of your jack. Failure to comply with these instructions can result in serious bodily harm and void product warranty. Manufacturer will assume no liability for loss or damage of any kind, expressed or implied resulting from improper installation or use of this product.

## DEFINITIONS OF HAZARD LEVELS

Identify the hazard levels used in this manual with the following definitions and signal words:



Watch for this symbol as it means: Immediate hazards which will result in severe personal injury or death.



Watch for this symbol as it means: Hazards or unsafe practices which could result in severe personal injury or death.



Watch for this symbol as it means: Hazards or unsafe practices which may result in minor personal injury, product or property damage.

## OWNER'S RESPONSIBILITY

To maintain the jack and user safety, the responsibility of the owner is to read and understand these instructions:

- ◆ Follow all installation and operation instructions.
- ◆ Make sure installation conforms to all applicable Local, State, and Federal Codes, Rules, and Regulations; such as State and Federal OSHA Regulations and Electrical Codes.
- ◆ Carefully check the product for correct initial function.
- ◆ Read and follow the safety instructions. Keep them readily available for machine operators.
- ◆ Make certain all operators are properly trained, know how to safely and correctly operate the unit, and are

properly supervised.

- ◆ Allow unit operation only with all parts in place and operating safely.
- ◆ Carefully inspect the unit on a regular basis and perform all maintenance as required.
- ◆ Service and maintain the unit only with authorized or approved replacement parts.
- ◆ Keep all instructions permanently with the unit and all decals on the unit clean and visible.

## INSTALLER / OPERATOR PLEASE READ AND FULLY UNDERSTAND. BY PROCEEDING YOU AGREE TO THE FOLLOWING:

- ◆ I have visually inspected the site where the jack is to be installed and verified the concrete to be in good condition and free of cracks or other defects. I understand that installing a jack on cracked or defective concrete could cause jack failure resulting in personal injury or death.
- ◆ I understand that a level floor is required for proper installation and level lifting.
- ◆ I understand that I am responsible if my floor is of questionable slope and that I will be responsible for all charges related to pouring a new level concrete slab if required and any charges.
- ◆ I will assume full responsibility for the concrete floor and condition thereof, now or later, where the above equipment model is to be installed. Failure to follow Danger, Warning, and Caution instructions may lead to serious personal injury or death to operator or bystander or damage to property.

## BEFORE YOU BEGIN RECEIVING YOUR SHIPMENT

The shipment should be thoroughly inspected as soon as it is received. The signed bill of lading is acknowledgement by the carrier of receipt in good condition of shipment covered by your invoice. If any of the goods called for on the bill of lading are shorted or damaged, do not accept them until the carrier makes a notation on the freight bill of the shorted or damaged goods. NOTIFY THE CARRIER AT ONCE if any hidden loss or damage is discovered after receipt and request the carrier to make an inspection.

IT IS DIFFICULT TO COLLECT FOR LOSS OR DAMAGE AFTER YOU HAVE GIVEN THE CARRIER A CLEAR RECEIPT. File your claim with the carrier promptly. Support your claim with copies of the bill of lading, freight bill, invoice, and photographs, if available.

## IMPORTANT SAFETY INSTRUCTIONS

Read these safety instructions entirely. Do not attempt to install this QuickJack if you have never been trained on basic vehicle jack installation procedures. Never attempt to lift components without proper lifting tools such as forklifts or cranes. Stay clear of any moving parts that may fall and cause injury. When using your garage equipment, basic safety precautions should always be followed, including the following:

1. Read and understand all instructions and all safety warnings before operating jack.
2. Care must be taken as burns can occur from touching hot parts.
3. **DO NOT** operate equipment with a damaged cord or hose or if the equipment has been dropped or damaged until it has been examined by a qualified service person.
4. **DO NOT** let a cord hang over the edge of the table, bench, or counter or come in contact with hot manifolds or moving fan blades.
5. Care should be taken to arrange the cord and hose so that it will not be tripped over or pulled.
6. Adequate ventilation should be provided when working on operating internal combustion engines.
7. Keep hair, loose clothing, fingers, and all parts of body away from moving parts. Keep feet clear of jack when lowering. Avoid pinch points.
8. Use only as described in this operation manual. Use only manufacturer's recommended attachments.
9. **ALWAYS WEAR SAFETY GLASSES.** Everyday eyeglasses only have impact resistant lenses, they are not safety glasses.
10. Consider work environment. Keep work area clean. Cluttered work areas invite injuries. Keep areas well lit.
11. Only trained operators should operate this jack. All non-trained personnel should be kept away from the work area. Never let non-trained personnel come in contact with, or operate jack.
12. Clear area if vehicle is in danger of falling.
13. **ALWAYS** make sure the safeties are engaged before attempting to work on or near a vehicle.
14. **MAINTAIN WITH CARE.** Keep jack clean for better and safer performance. Follow manual for proper lubrication and maintenance instructions. Keep control handles and/or buttons dry, clean and free from grease and oil.
15. Check for damaged parts. Check for alignment of moving parts, breakage of parts or any condition that may affect operation of jack. Do not use jack if any component is broken or damaged.
16. **NEVER** remove safety related components from the jack. Do not use jack if safety related components are missing or damaged.
17. **STAY ALERT.** Use common sense and watch what you are doing. Remember, **SAFETY FIRST.**

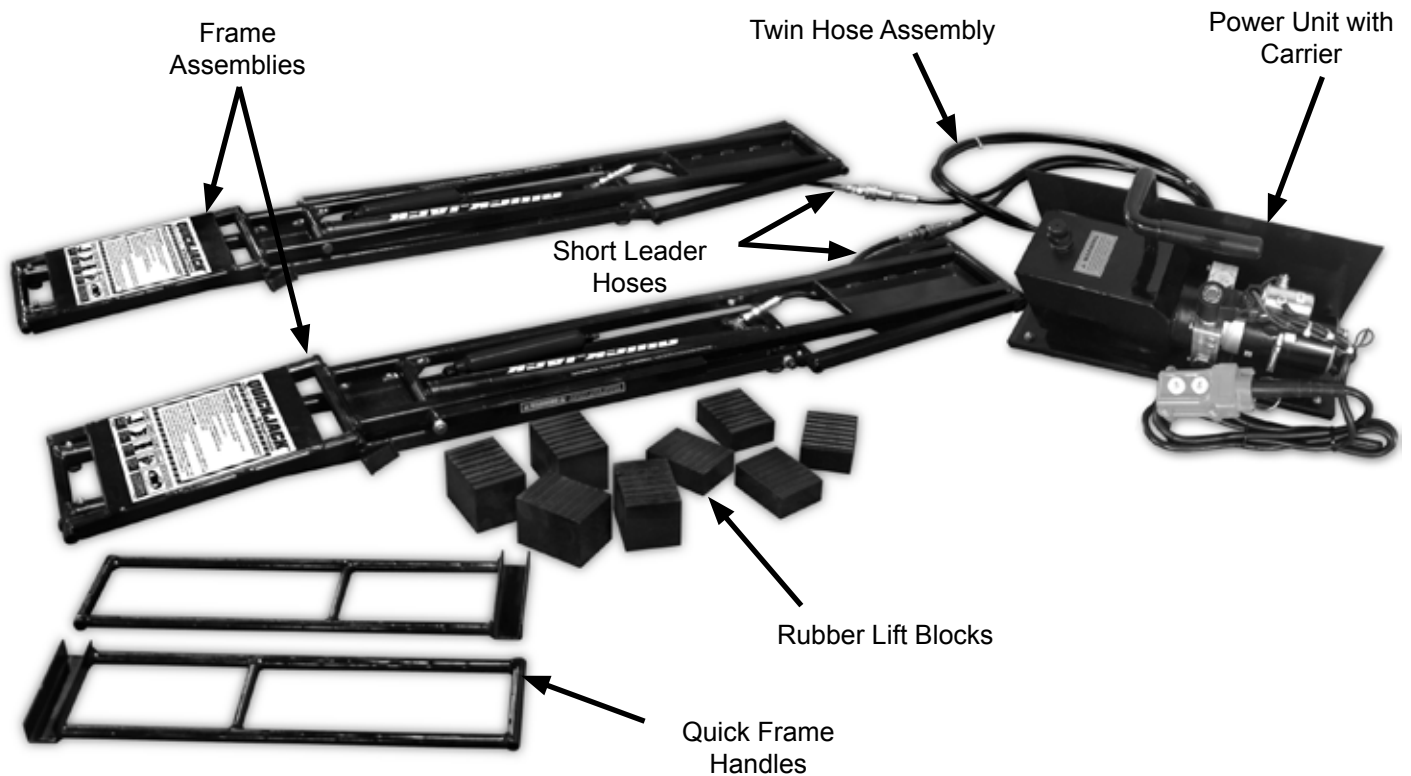


**SAVE THESE INSTRUCTIONS IN AN ACCESSIBLE LOCATION**

# PARTS INVENTORY

Be sure to take a complete inventory of parts prior to beginning installation.

Description	Qty
Frame Assemblies	2
Power Unit with Carrier	1
Quick Connect Twin Hose Assembly	1
Quick Connect Hoses	2
Rubber Lift Blocks	8
Frame Handles	2
Parts Box (Packing List Enclosed)	1



## SPECIFICATIONS

MODEL	BL-3500	BL-5000
Lifting Capacity per Pair	3,500Lbs. / 1588Kg.	5,000Lbs. / 2268Kg.
Frame Length (Overall):	61.5" / 1562mm	69" / 1753mm
Frame Width:	10.5" / 267mm	11.25" / 286mm
Rubber Lift Block Position Min.:	28.75" / 730mm	35.5" / 902mm
Rubber Lift Block Position Max.:	43.75" / 1111mm	50.5" / 1283mm
Platform lifting height (frame only):	16.75" / 425mm	18.5" / 470mm
Platform lifting height (with rubber lift blocks):	20" / 508mm	22" / 559mm
Minimum collapsed height:	3" / 76mm	3" / 76mm
Standard Motor(*)	110VAC / 60Hz. 1Ph.	110VAC / 60Hz. 1Ph.

\* Optional 12-Volt DC Motor available.

The design, material and specifications are subject to change without notice.

## TOOLS REQUIRED

- ◆ Open-End Wrench Set: SAE/Metric
- ◆ Socket And Ratchet Set: SAE/Metric

- ◆ Phillips Screwdriver
- ◆ Wrench sizes: 7/16", 3/8", 5/8", 11/16" and 3/4"

## IMPORTANT NOTICE

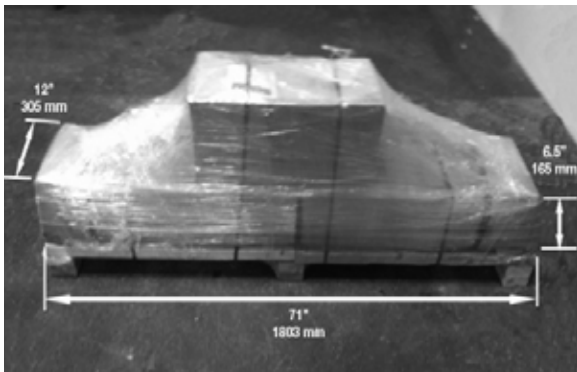
THESE INSTRUCTIONS MUST BE FOLLOWED TO ENSURE PROPER INSTALLATION AND OPERATION OF YOUR JACK. FAILURE TO COMPLY WITH THESE INSTRUCTIONS CAN RESULT IN SERIOUS BODILY HARM AND VOID PRODUCT WARRANTY. MANUFACTURER WILL ASSUME NO LIABILITY FOR LOSS OR DAMAGE OF ANY KIND, EXPRESSED OR IMPLIED, RESULTING FROM IMPROPER INSTALLATION OR USE OF THIS PRODUCT.

PLEASE READ ENTIRE MANUAL PRIOR TO INSTALLATION

### STEP 1 Selecting Site

Before installing your new jack, check the following:

1. **JACK LOCATION:** Always make sure that adequate space is available for installation. Your new QuickJack is shipped in two boxes. Approximate dimensions are shown below.



2. **OVERHEAD OBSTRUCTIONS:** The area where the jack will be located should be free of any overhead obstructions such as heaters, building supports, electrical lines etc.

3. **DEFECTIVE FLOOR:** Visually inspect the site where the jack is to be installed and check for defective concrete or asphalt.

### STEP 2 Floor Requirements



FLOOR MUST BE DRY, FLAT, LEVEL AND COMPACT AND HAVE A MINIMUM COMPRESSIVE STRENGTH OF 500 PSI. A LEVEL FLOOR IS REQUIRED FOR PROPER INSTALLATION AND LEVEL LIFTING.

This jack must be installed on a solid level area with no more than 3° of slope. Failure to do so could cause personal injury or death.

### STEP 3 Unpacking

1. After choosing the area of installation, open packaging and remove the frames, handles, hoses and power unit.



2. Place the QuickJack frames near work area.

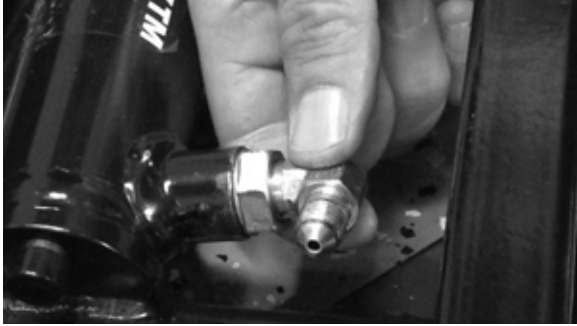


### STEP 4 Installing Cylinder Fittings

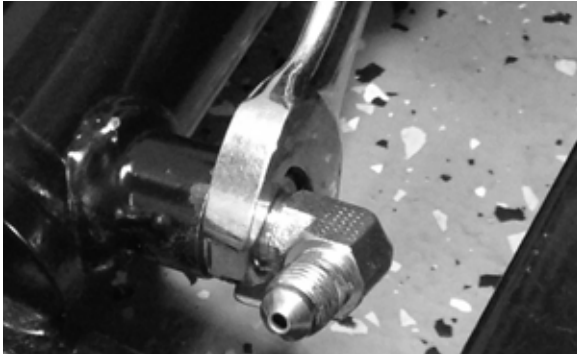
1. Remove the shipping plugs from the hydraulic cylinders as shown below.



2. Install the 90° O-ring fittings and position the fittings at 10 o'clock.



3. Using a wrench, secure the fitting nut.



## STEP 5 Installing Inflation Valves

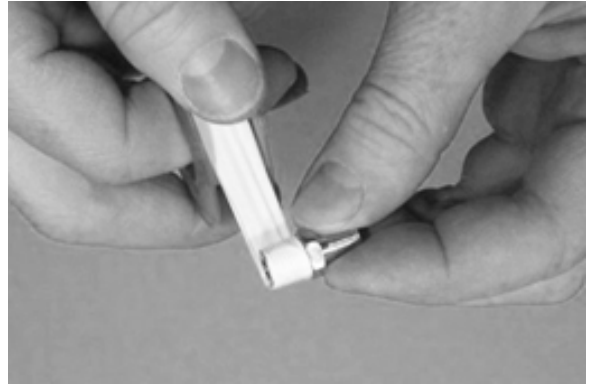
Appropriate procedures must be employed for effective assembly of the air inflation valve located on each air bottle cylinder. Installation torque and cleanliness should be addressed when installing.

1. Using a hex key wrench, remove shipping plugs from both air bottle cylinders.



EXCESS PACKING OIL MAY RELEASE FROM THE AIR BOTTLE CYLINDER. AVOID CONTACT WITH HYDRAULIC FLUIDS. USE PERSONAL PROTECTIVE EQUIPMENT. IF HYDRAULIC FLUID COMES IN CONTACT WITH EYES, GETS INTO THE BLOODSTREAM OR IS SWALLOWED, PLEASE CONSULT A DOCTOR IMMEDIATELY.

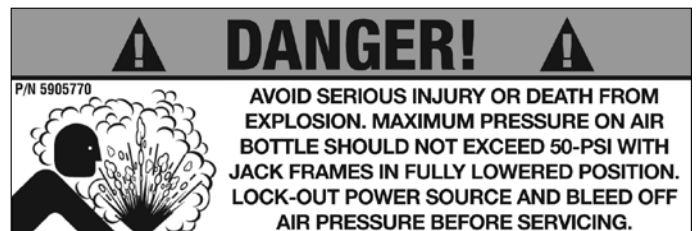
2. Wrap the threads on the two air inflation valves with Teflon™ tape. When applying tape, wrap it three times in direction shown below.



3. Carefully thread each air inflation valve into each air bottle cylinder as shown. NOTE: It is strongly recommended that valve cores be started by hand to minimize cross-threading.



4. Gently tighten each inflation valve.





## STEP 6 Pressurizing Air Bottle Cylinders

1. **IMPORTANT:** Make sure lift frames are in the fully lowered position during the following procedures.



2. Remove dust cap from each air inflation valve.

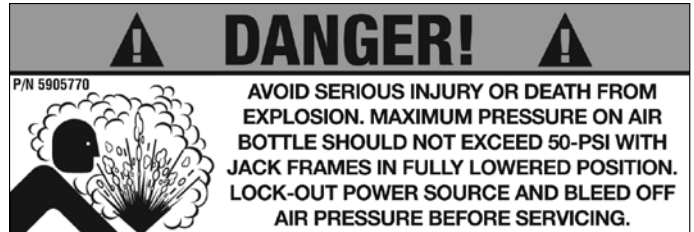


3. If the valve hasn't been opened for a while, use a valve tool to release a short hiss of air to check valve for proper operation and to drain any accumulated oil. Holding the valve open deflates the air bottle cylinder.

4. Using a pump or air compressor, inflate each air bottle cylinder to 50-PSI. Pull the connector off quickly parallel to the valve to minimize air loss.



5. Press the air pressure gauge evenly onto the valve stem and record the reading given. If there is a hissing sound, the gauge is not tight or even enough for an accurate reading. **DO NOT EXCEED 50-PSI.**

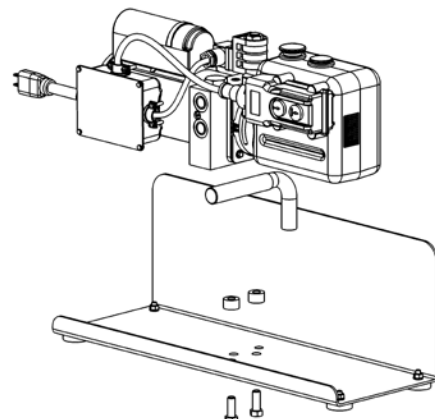


6. Replace dust caps. The dust cap on each inflation valve helps to retain air. If the valve does not have a cap, the air bottle cylinders may deflate noticeably sooner.

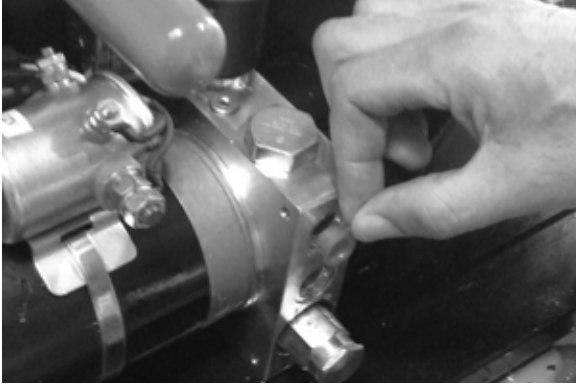


## STEP 7 Power Unit Assembly

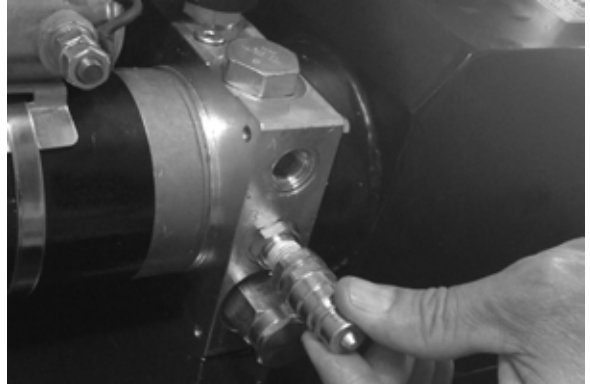
1. **IMPORTANT:** Mount the Power Unit to carrier using round spacers and bolts.



2. Remove protective shipping plugs from both power unit ports.



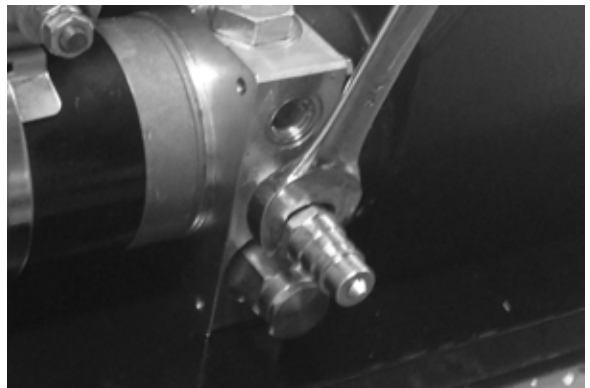
6. Install male quick-connect fitting to lower double-male fitting.



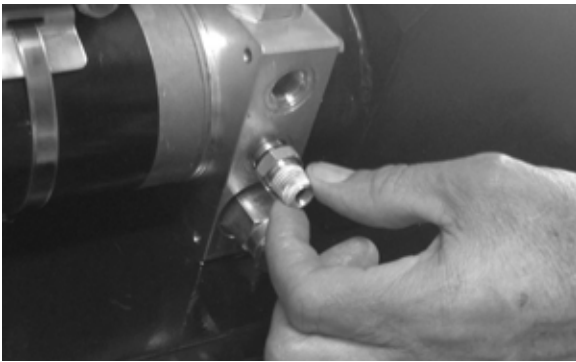
3. Locate both double-male O-ring fittings, then wrap Teflon tape on pipe threads only - NOT O-RING SIDE.



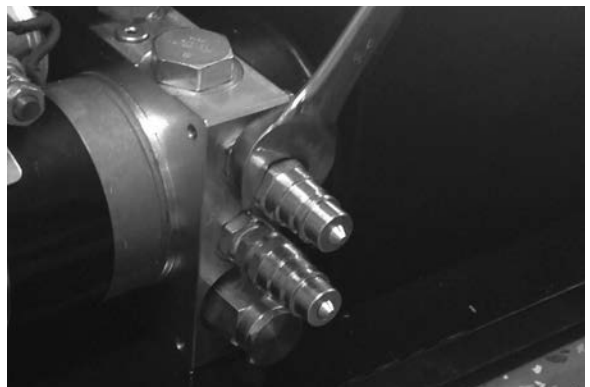
7. Securely tighten fitting.



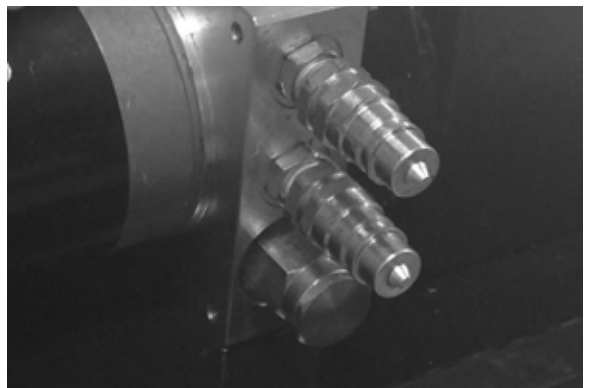
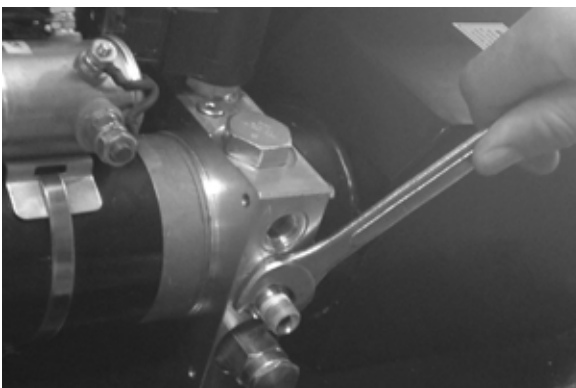
4. Place one double-male O-ring fitting in the lower port, with the O-ring facing inward.



8. Repeat same steps for the upper port. Both fittings should be installed as shown in the images below.



5. Securely tighten fitting.



## STEP 8 Filling Power Unit Reservoir



DURING THE START-UP PROCEDURE OBSERVE ALL OPERATING COMPONENTS AND CHECK FOR PROPER INSTALLATION AND ADJUSTMENT. DO NOT ATTEMPT TO RAISE A LOAD UNTIL A THOROUGH OPERATIONAL CHECK HAS BEEN COMPLETED.

1. Remove complete oil reservoir fill cap and screw nut assembly using an adjustable wrench.



2. Remove cap and place in a non-contaminated area.



3. Fill the reservoir with approximately 2 quarts of automatic transmission fluid. Make sure the funnel used to fill the power unit oil reservoir is clean.



4. Replace oil fill cap assembly and tighten firmly.

## STEP 9 Preparing Hoses



READ THE FOLLOWING PROCEDURES BEFORE ATTEMPTING TO CONNECT HOSES TO QUICKJACK AND POWER UNIT.

1. Remove protective caps from threaded fittings on both ends of Twin Hose Assembly.



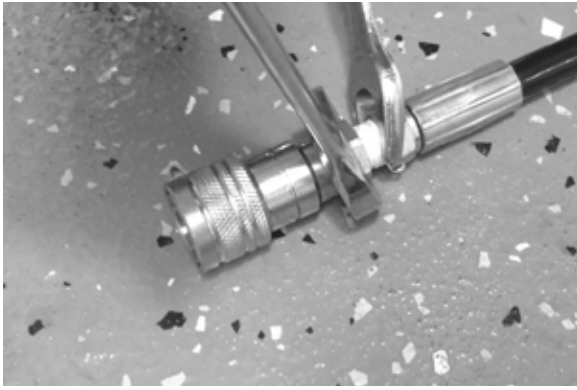
2. Wrap the threads with Teflon tape. When applying tape, wrap it three times in direction shown below.



3. Install female quick-connect fitting onto threaded end.



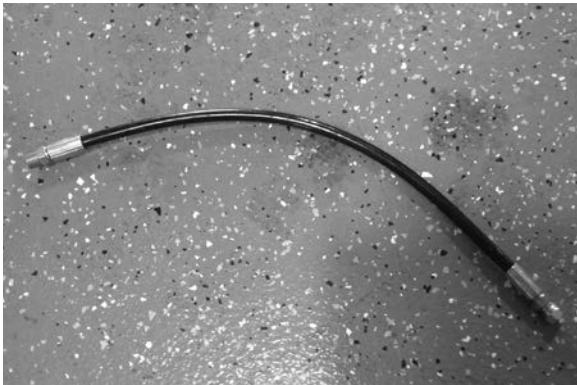
4. Securely tighten female fitting as shown below.



5. Repeat same procedure for ALL four hose ends, as shown in the image below.



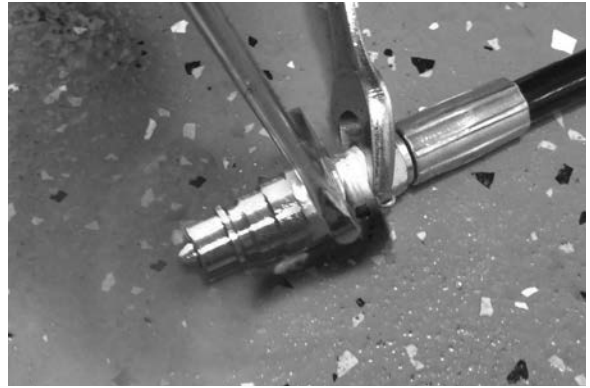
6. Locate both Short Leader Hoses and remove protective caps from threaded fittings.



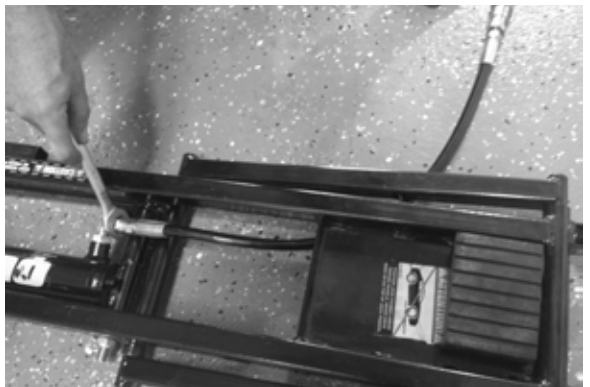
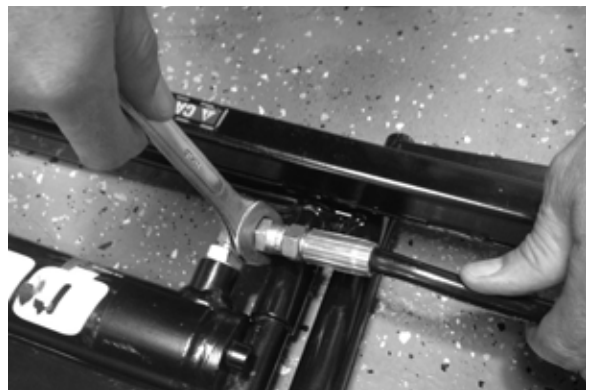
7. Wrap threaded ends with Teflon tape at least three times. Tape should be wrapped in direction shown below.



8. Locate the two remaining male quick-connect fittings and attach to Short Leader Hoses as shown below.



9. Connect both Short Leader Hoses to each hydraulic cylinder.

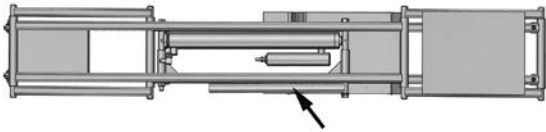
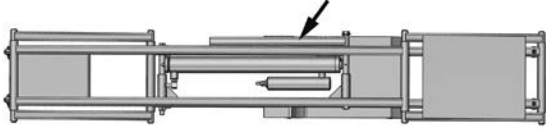


10. Route Short Leader Hoses under frame ends making sure they are clear from any pinch points.

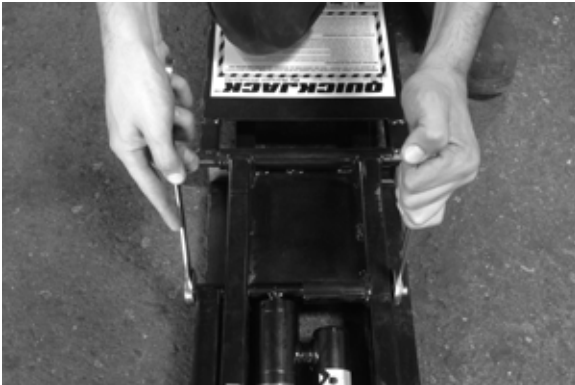


## STEP 10 Jack Preparation

1. Place both QuickJack frames on a stable floor surface with both lock bars positioned outwards as illustrated below.



2. Check for proper tension on the safety lock bar retaining nuts. The safety lock bars should remain upright in the stowed position during normal use. They should be manually engaged when required.



3. Remove any dirt, scales, chips or any foreign debris from your quick-connect fittings to avoid contamination or malfunction of the equipment.



**VISUALLY CHECK QUICK-CONNECT FITTINGS FOR CORRODING, CRACKING, DAMAGE OR EXCESSIVE WEAR. IF ANY OF THESE CONDITIONS EXIST, THE QUICK-CONNECT FITTINGS MUST BE REPLACED.**

4. **TO CONNECT:** Install the male fitting into the female fitting. Full connection is made when the ball release sleeve slides forward on the female fitting.

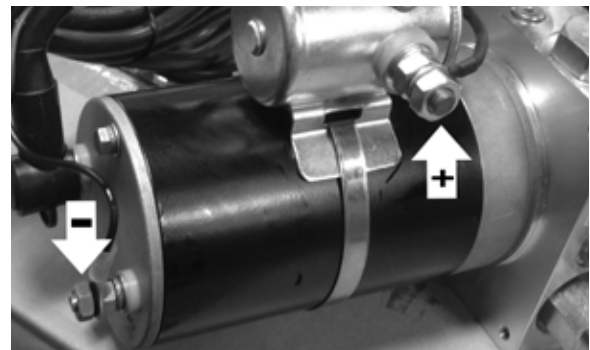
**TO DISCONNECT:** Hold the male fitting then retract the sleeve on the female fitting until the fittings disconnect.



5. For AC Power Units connect directly to a 110-volt power source.



6. For DC Power Units connect the 12-volt negative source to the negative terminal and the 12-volt positive power source to the positive terminal. See below images or follow instructions accompanying the unit.





7. Make sure the power unit oil reservoir is full with 2 quarts of automatic transmission fluid



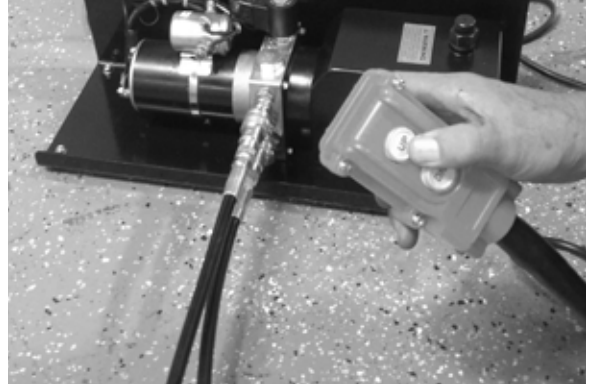
8. Loosen Breather Screw vent before use by turning knob counter-clockwise. NOTE: Breather vent should be tightened for transport and shipping only.



9. Check air pressure in the air bottle cylinders. Make sure both register 50-PSI. **DO NOT EXCEED 50-PSI.**



10. Test the Power Unit by pressing the UP button. If the motor sounds like it is operating properly, raise jacks half way and check all hose connections for leaks. If the motor gets hot or sounds irregular, stop and check all electrical connections.



11. Cycle the jack up and down a few times to approximately half the lifting height, ensuring proper operation.

12. Engage safety bars and lower jack onto safeties by depressing the DOWN button. Check both safety lock bars for proper operation before proceeding.



## STEP 11 Bleeding the Cylinders

### NOTE:

The following procedures are only necessary if the jack frames are raising and lowering unevenly.

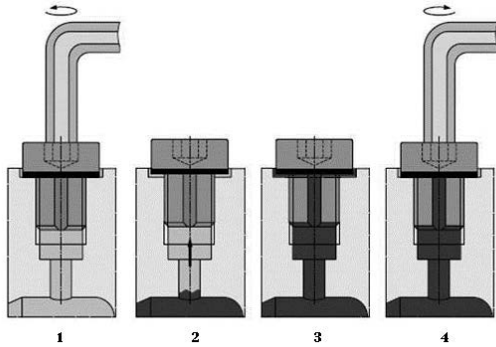
1. **BLEEDING AIR FROM HYDRAULIC SYSTEM.** Raise QuickJack approximately half lifting height and then slightly loosen bleeder screw to release air from hydraulic system.



2. Filling: Press the UP button on the power unit pendant control to slowly fill the hydraulic cylinders with oil; air and oil will exit.

3. Bleeding: The air has been completely removed from the hydraulic cylinder if the oil exits without bubbles.

4. Closing: Tighten the hex socket bleed screw using a hexagon wrench to close and create a tight seal. **DO NOT OVERTIGHTEN.**



## STEP 12 Operation and Use



TO AVOID PERSONAL INJURY AND/OR PROPERTY DAMAGE, REVIEW THE INSTRUCTIONS. GET FAMILIAR WITH OPERATOR CONTROLS BY RUNNING THE JACKS THROUGH A FEW CYCLES BEFORE LOADING VEHICLE ON QUICKJACK. ALWAYS LIFT THE VEHICLE USING ALL FOUR RUBBER LIFT BLOCKS. NEVER RAISE JUST ONE END, ONE CORNER OR ONE SIDE OF VEHICLE AT A TIME.

There are two methods of using the QuickJack when raising vehicles; **INSIDE OUT** and **OUTSIDE IN**.

- **INSIDE OUT:** In this method, the QuickJack frames are positioned directly adjacent each other while the vehicle rolls over into position. Quick Frame Handles are typically required. See below.



Quick Frame Handles are easily installed by simply lifting the jack frames and placing the end channel underneath the frame tubes as shown below.



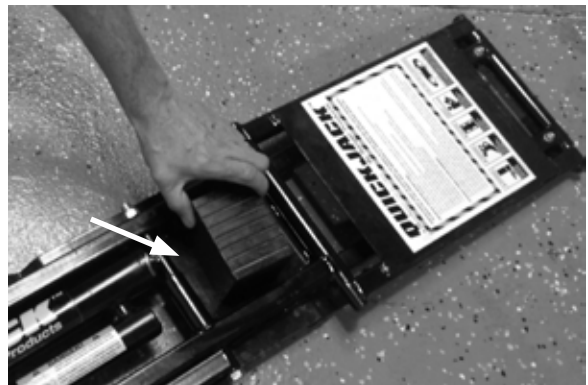
- **OUTSIDE IN:** In this method, the QuickJack frames are positioned wide enough for vehicle entry. Quick Frame Handles are typically not required. **DO NOT** drive over hydraulic hose. See below.



### IMPORTANT NOTE:

Before loading, both jack frames must be fully lowered and working area cleared of any obstruction before vehicle is brought into position. **DO NOT** drive on or ride vehicles over jack frames at any time.

1. Position four Rubber Lift Blocks in the receiver trays as shown below.



### IMPORTANT NOTE:

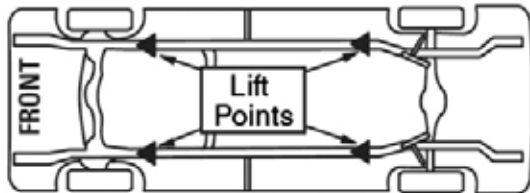
Do not attempt to lift any load on the upper frame rail. Use Rubber Lift Blocks only. Rubber Lift Blocks must only be placed in the receiver trays.

2. With vehicle in ready position, place each jack frame under the vehicle making sure to position the Rubber Lift Blocks at the factory recommended jacking points. Ensure vehicle is positioned with the center-of-balance placed midway on the jack frames.

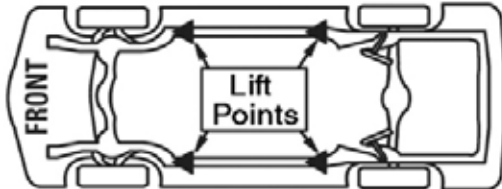


**TYPICAL JACKING POINTS**

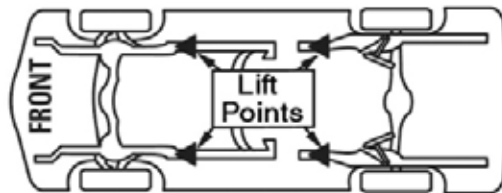
Always lift a vehicle according to the manufacturers recommended lifting points. Typical vehicle jacking points are illustrated below.



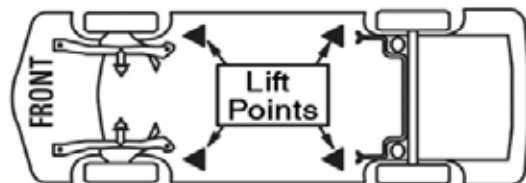
Light Duty Pickup Truck / Van



Perimeter Frame



Stub Frame



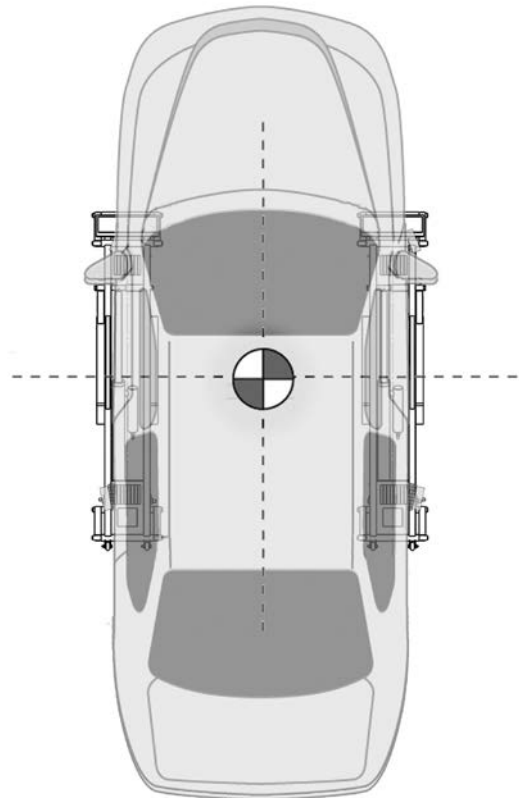
Unitized Body



IF THE SPECIFIC VEHICLE LIFT POINTS ARE NOT IDENTIFIED OR IF THE VEHICLE HAS ADDITIONAL OR UNIQUELY POSITIONED PAYLOAD, HAVE A QUALIFIED PERSON CALCULATE THE VEHICLE CENTER OF GRAVITY OR HAVE THE VEHICLE CENTER OF GRAVITY DETERMINED AT A VEHICLE SCALE.



MAKE SURE VEHICLE IS NEITHER FRONT NOR REAR HEAVY AND SELECT THE PROPER CONFIGURATION FOR THE VEHICLE TO BE LIFTED AS SHOWN BELOW. CENTER OF BALANCE SHOULD BE MIDWAY BETWEEN RUBBER LIFTING BLOCKS AND CENTERED OVER THE JACK FRAMES.



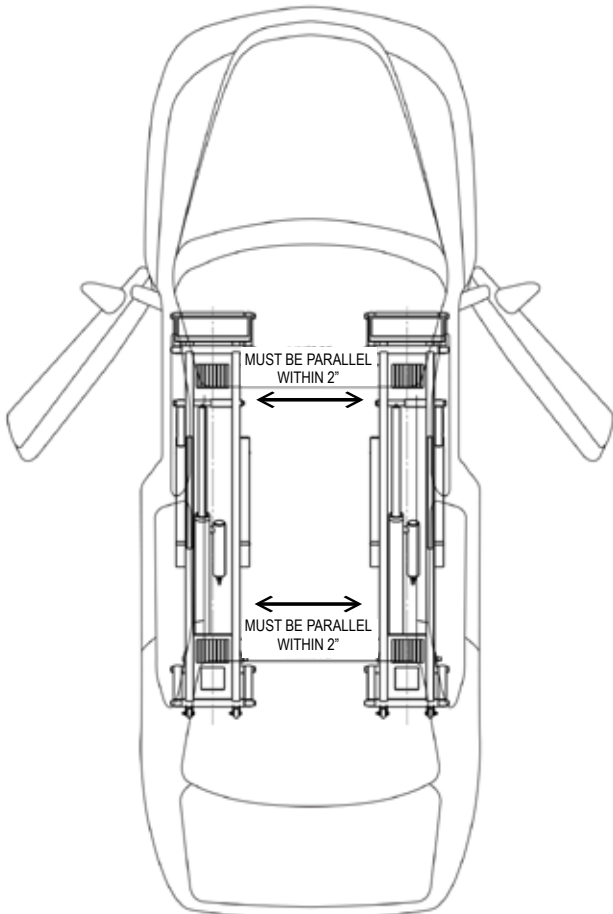
**TO RAISE JACK FRAMES**

1. Before raising vehicle, be sure all personnel are clear of the surrounding area.
2. Pay careful attention to overhead clearances - stand clear at all times.

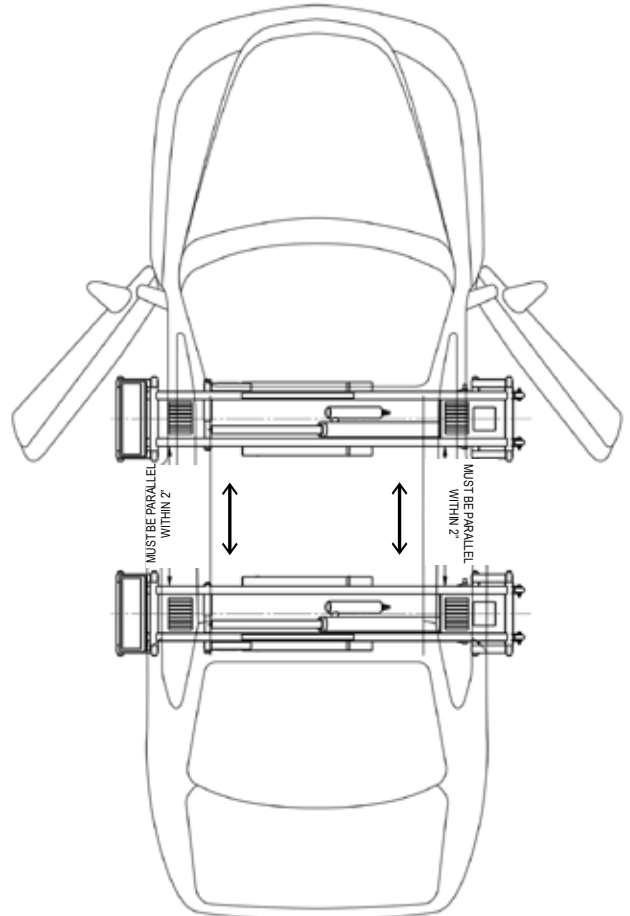


**⚠ WARNING**

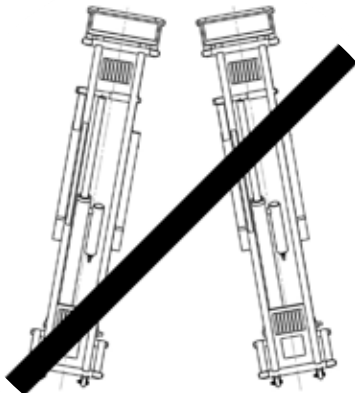
ALWAYS MAKE SURE QUICKJACK FRAMES ARE PARALLEL WITHIN 2" AND ALIGNED EVENLY FRONT AND BACK AS SHOWN IN THE DIAGRAM. FAILURE TO DO SO COULD CAUSE QUICKJACK FRAMES TO BECOME UNSTABLE AND NOT REST SQUARELY ON FLOOR SURFACE.



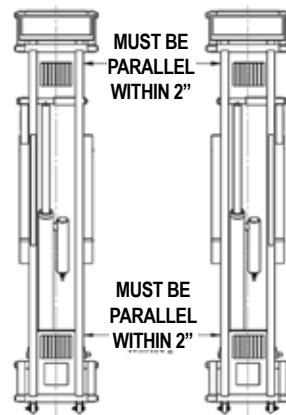
**LONGITUDINAL**



**LATITUDINAL**



**IMPROPER SET-UP**



**PROPER SET-UP**

3. Operate the **UP** control until each jack platform makes contact with vehicle undercarriage. Check contact points. If required, slightly position Rubber Lift Blocks as needed.



4. When ready, raise vehicle keeping the UP button continuously depressed until tires clear the floor and the jack frames are at least 12" off the ground or the first safety lock position has been reached.

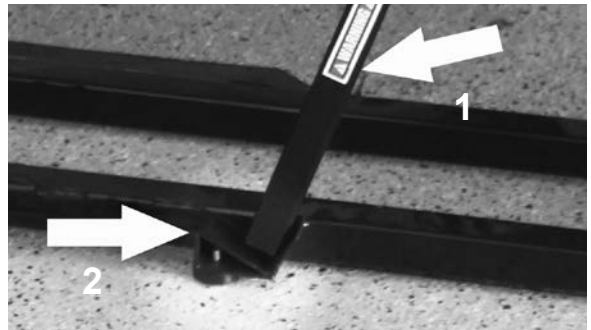


5. Continue to raise to desired height only if vehicle is secure on lift. Keep hair, loose clothing, fingers, and all parts of body away from moving parts. Keep feet clear of jack when lowering. Avoid pinch points.



6. Operate the UP control until each jack platform reaches either the low locking position or high locking position.

7. Raise vehicle to desired locking position, then ensure both safety lock bars (#1) are fully engaged in their respective receiver (#2) before nearing elevated vehicle. **STAY ALERT.** Use common sense and watch what you are doing. Remember, **SAFETY FIRST.**



ALWAYS MAKE SURE THE SAFETIES ARE ENGAGED BEFORE ATTEMPTING TO WORK ON OR NEAR A VEHICLE.

DO NOT GO NEAR OR UNDER A RAISED VEHICLE IF ALL FOUR RUBBER LIFTING BLOCKS ARE NOT IN SECURE CONTACT WITH VEHICLE.

IMMEDIATELY CLEAR AREA IF VEHICLE IS IN DANGER OF FALLING.

#### TO LOWER JACK FRAMES

1. Ensure that load is firmly positioned and secured on jack frames.
2. Operate the **UP** control until safety lock bars are clear.
3. Raise and stow the safety lock bars.
4. Stand clear of vehicle and jack frames.
5. Operate the **DOWN** control until both the jack frames are lowered completely to the floor.
6. Using the utility handles, remove the jack frames from underneath the vehicle.
7. **DO NOT** drive or ride vehicles over jack frames at any time.

#### IMPORTANT NOTE:

Before removing vehicle, both jack frames must be fully lowered and working area cleared of any obstruction before vehicle is brought into position. **DO NOT** drive on or ride vehicles over jack frames at any time.

## Important Operating Instructions

**QUICKJACK CANNOT BE RESPONSIBLE FOR DAMAGE OR INJURY RESULTING FROM, LACK OF MAINTENANCE OR UNSAFE USE OF THIS PRODUCT. READ AND UNDERSTAND ALL WARNINGS AND INSTRUCTIONS BEFORE USE.**

**FAILURE TO READ AND UNDERSTAND THE FOLLOWING WARNINGS MAY RESULT IN PERSONAL INJURY AND/OR PROPERTY DAMAGE.**

**THIS UNIT IS DESIGNED FOR SERVICING LIGHT DUTY PASSENGER OR MOTORSPORT VEHICLES ONLY. READ AND UNDERSTAND ENTIRE CONTENTS OF OPERATION MANUAL AND WARNINGS BELOW BEFORE OPERATING THIS EQUIPMENT.**



### **IMPORTANT OPERATION INSTRUCTIONS:**

- ◆ Read all CAUTIONS, WARNINGS, and INSTRUCTIONS included with, or attached to this equipment prior to use.
- ◆ Follow all safety precautions to avoid personal injury or property damage during operation.
- ◆ Use on hard level floor surface only.
- ◆ Always check vehicle gross weight before attempting to use this equipment.
- ◆ DO NOT exceed rated load capacity.
- ◆ RUBBER LIFT BLOCKS must only be used in the RECEIVER TRAYS.
- ◆ DO NOT attempt to raise any load on the upper frame rails. Use RUBBER LIFT BLOCKS only.
- ◆ Visually inspect all components for damage prior to use.
- ◆ If any damage is found, DO NOT USE THIS EQUIPMENT.

### **HYDRAULIC POWER SYSTEM WARNINGS:**

- ◆ All hose couplers must be correctly fastened together before using this equipment or applying pressure.
- ◆ NEVER ATTEMPT to connect or disconnect hose couplers while equipment is loaded or hydraulic system is under pressure.
- ◆ Keep dust caps on hose couplers when not in use.
- ◆ Use every precaution to guard against dirt entering the system.
- ◆ USE CAUTION if using thread sealant or Teflon tape when installing hydraulic fittings/couplers. If using tape, trim any loose ends to prevent tape from entering the hydraulic system. Care must be taken to ensure that tape or thread sealant does not enter the hydraulic system. Tape or thread sealant in the fluid will impair fluid flow causing system malfunction.
- ◆ Never exceed the rated capacity.
- ◆ Inspect entire unit and all fasteners thoroughly before each use.
- ◆ Do not operate this equipment if any component is found to be missing, defective or worn.
- ◆ Never operate this equipment with any person in close proximity.
- ◆ Always ensure load is centered and secure on each jack frame prior to operation.
- ◆ When lowering, pay careful attention that all personnel and objects are kept clear.
- ◆ Always keep a visual line of site on vehicle and jack frames during operation.
- ◆ Always stand clear when unit is in operation.
- ◆ Never leave unit in an elevated position unless both safety lock bars are fully engaged.
- ◆ Keep all body parts and objects away from hinge or pinch points when unit is in motion.
- ◆ Floor surface must be dry, flat, level and compact and have a minimum compressive strength of 500 PSI.
- ◆ Always wear durable work clothing during installation and operation. Loose fitting clothing should be avoided.
- ◆ Visually confirm that both safety lock bars are engaged before nearing elevated vehicle.
- ◆ DO NOT work under an elevated vehicle unless properly rated vehicle jack stands are used and placed under the factory approved jacking points.

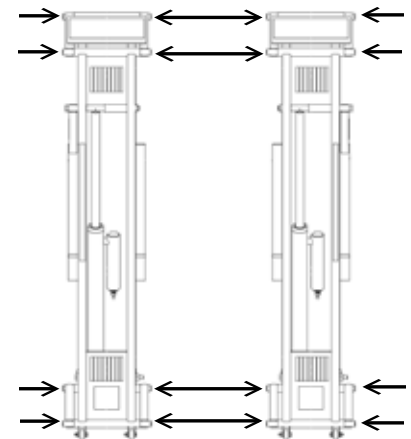


- ◆ **ALWAYS** make sure lift frames are parallel within 2” and aligned evenly front and back. Failure to do so could cause lift frames to become unstable and not rest squarely on floor surface.
- ◆ **DO NOT** leave the controls while the jack is still in motion.
- ◆ **DO NOT** stand directly in front of the vehicle or in the bay when vehicle is being loaded into position.
- ◆ **DO NOT** go near vehicle or attempt to work on the vehicle when being raised or lowered.
- ◆ **REMAIN CLEAR** of jack when raising or lowering vehicle.
- ◆ **DO NOT** rock the vehicle while on the jack or remove any heavy component from vehicle that may cause excessive weight shift.
- ◆ **DO NOT** lower the vehicle until people, materials, and tools are clear.
- ◆ **ALWAYS ENSURE** that the safeties are engaged before any attempt is made to work on or near vehicle.
- ◆ Some vehicle maintenance and repair activities may cause the vehicle to shift. Follow the manufacturer’s guidelines when performing these operations. The use of jack stands or alternate lift points may be required when completing some repairs.
- ◆ **READ AND UNDERSTAND** all safety warning procedures before operating jack.
- ◆ **KEEP HANDS AND FEET CLEAR.** Remove hands and feet from any moving parts. Keep feet clear of jack when lowering. Avoid pinch points.
- ◆ **ONLY TRAINED OPERATORS** should operate this jack. All non-trained personnel should be kept away from work area. Never let non-trained personnel come in contact with, or operate jack.
- ◆ **USE JACK CORRECTLY.** Use jack in the proper manner. Never use lifting adapters other than what is approved by the manufacturer.
- ◆ **CLEAR AREA** if vehicle is on danger of falling.
- ◆ **STAY ALERT.** Watch what you are doing. Use common sense. Be aware.
- ◆ **CHECK FOR DAMAGED PARTS.** Check for alignment of moving parts, breakage of parts or any condition that may affect its operation. Do not use jack if any component is broken or damaged.
- ◆ **NEVER** remove safety related components from the jack. Do not use jack if safety related components are damaged or missing.
- ◆ When the jack is being lowered, make sure everyone is standing at least six feet away.
- ◆ Be sure there are no tools or equipment left under the jack before lowering.
- ◆ Always lower the vehicle down slowly and smoothly.
- ◆ **DO NOT** drive or ride vehicle over jack frames at any time.

### MAINTENANCE INSTRUCTIONS

- ◆ **ALWAYS** keep bolts tight. Check periodically.
- ◆ **ALWAYS** keep lift components clean.
- ◆ **ALWAYS** replace FAULTY PARTS before equipment is put back into operation.
- ◆ **DAILY:** Make a visual inspection of ALL MOVING PARTS and check for excessive signs of wear.
- ◆ **DAILY** Check safety locks to ensure they are in good operating condition.
- ◆ **DAILY:** Inspect lift pads for damage or excessive wear. Replace as required with genuine QuickJack parts.
- ◆ **WEEKLY:** Check all bolts and pins to ensure proper mounting.
- ◆ **MONTHLY:** Lubricate all hinge points and check for excessive wear.  
(See diagram)

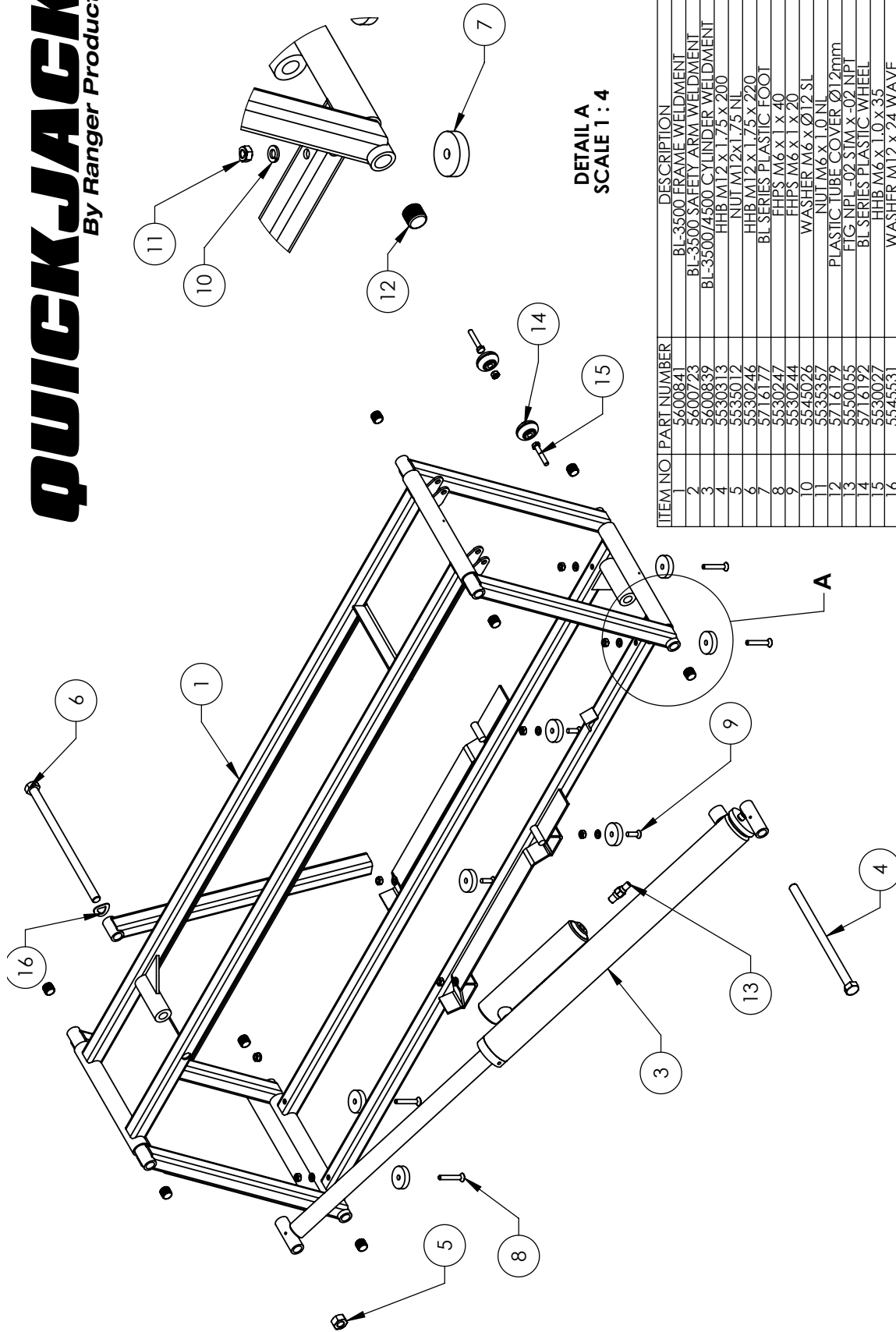
QuickJack Maintenance Lubrication Points



- ◆ **SEMI MONTHLY:** Check fluid level of Power Unit and refill if required per installation instructions.
- ◆ Replace all caution, warning or safety related decals on the QuickJack if unable to read or missing. Reorder labels from QuickJack.com

# QUICK-JACK™

By Ranger Products



**DETAIL A**  
SCALE 1 : 4

ITEM NO	PART NUMBER	DESCRIPTION	QTY	REV
1	5600841	BL-3500 FRAME WELDMENT	1	B
2	5600723	BL-3500 SAFETY ARM WELDMENT	1	D
3	5600839	BL-3500/4500 CYLINDER WELDMENT	1	B
4	5530813	HFB M12 x 1.75 x 200	1	-
5	5535012	NUT M12x1.75 NL	2	-
6	5530246	HFB M12 x 1.75 x 220	1	-
7	5716177	BL SERIES PLASTIC FOOT	8	C
8	5530247	FHP S M6 x 1 x 40	4	-
9	5530244	FHP S M6 x 1 x 20	4	-
10	5545026	WASHER M6 x Ø12 SL	10	-
11	5535357	NUT M6 x 1.0 NL	10	-
12	5716179	PLASTIC TUBE COVER Ø12mm	8	-
13	5550055	FIG NPL -02 SIM x -02 NPT	1	-
14	5716192	BL SERIES PLASTIC WHEEL	2	A
15	5530027	HFB M6 x 1.0 x 35	2	-
16	5545531	WASHER M12 x 24 WAVE	1	-

DO NOT SCALE DRAWING

DRAWN	TM	02/11/2014
CHECKED	MR	11/13/2014

THIRD ANGLE PROJECTION

PROPRIETARY AND CONFIDENTIAL  
THE INFORMATION CONTAINED IN THIS DRAWING IS THE PROPERTY OF RANGER PRODUCTS. NO REPRODUCTION IN PART OR AS A WHOLE WITHOUT THE WRITTEN PERMISSION OF BENDAK, INC. IS PERMITTED.

SMILEY FACE

DIMENSIONS ARE IN MM

1645 LEMONWOOD DR.  
SANTA PAULA, CA 93060

**QUICK-JACK™**  
By Ranger Products

TITLE:  
BL-3500 FRAME ASSEMBLY,  
R.H.

SIZE DWG. NO. **A** 5215651 REV **C**

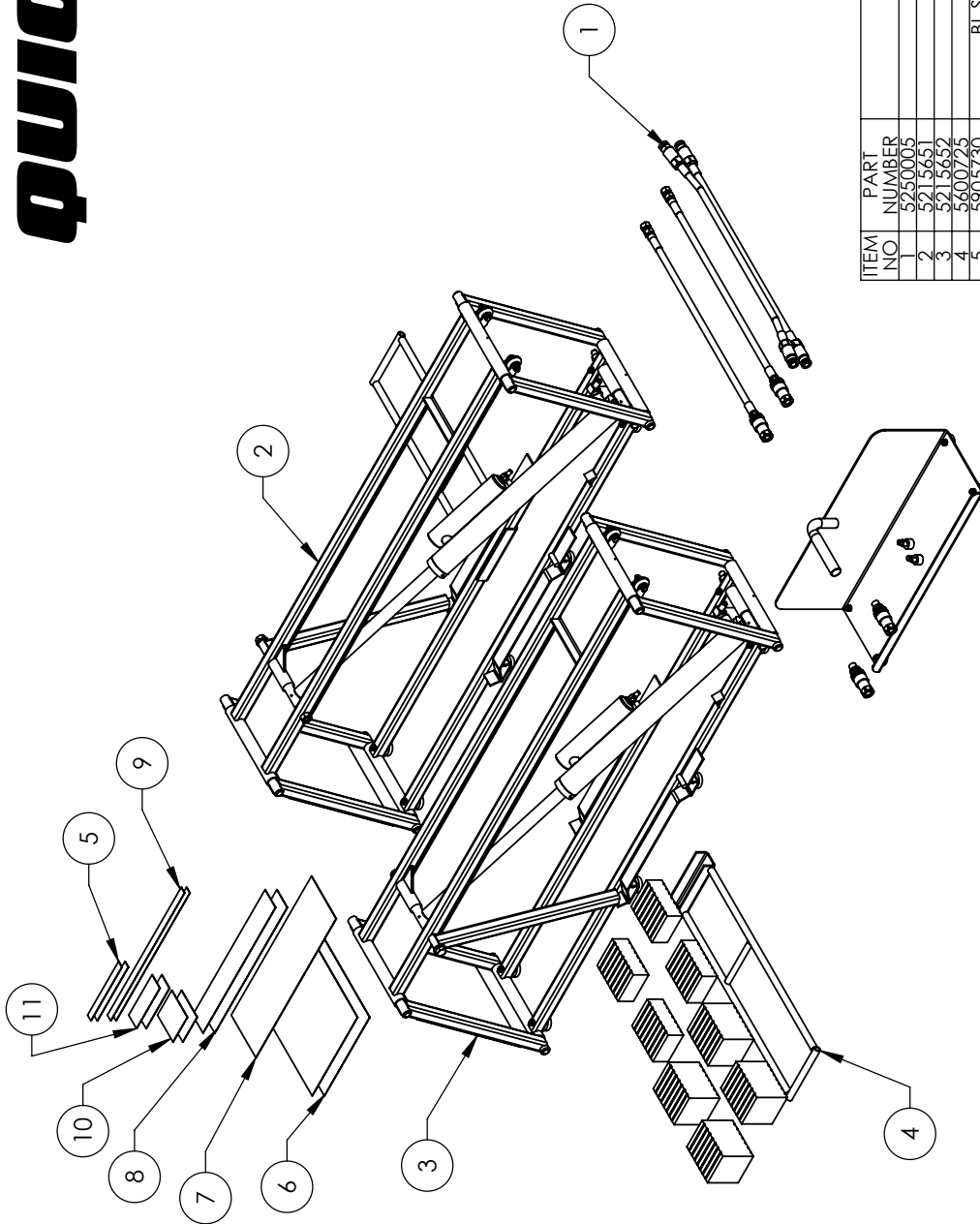
SCALE: 1:8 SHEET 1 OF 1

NEXT ASSEMBLY  
5260110

**NOTE: UNLESS OTHERWISE SPECIFIED.**  
1. SEE SHIPPING INSTRUCTIONS FOR FINAL PACKAGING  
2. ASSEMBLE ITEMS AS SHOWN

# QUICK-JACK™

By Ranger Products



ITEM NO.	PART NUMBER	DESCRIPTION	QTY	REV
1	5250005	BL SERIES PARTS BOX	1	D
2	5215651	BL-3500 FRAME ASSEMBLY, R.H.	1	C
3	5215652	BL-3500 FRAME ASSEMBLY, L.H.	1	C
4	5600725	BL SERIES HANDLE WELDMENT	2	D
5	5905730	BL SERIES SAFETY BAR WARNING LABEL	2	-
6	5905740	BL-3500 CAUTION LABEL	2	-
7	5905735	BL-3500 WARNING INSTRUCTION LABEL	2	-
8	5905745	BL SERIES CYLINDER DECAL	2	-
9	5905750	BL SERIES CAUTION, KEEP HANDS CLEAR	2	-
10	5905765	BL SERIES DO NOT DRIVE ON LABEL	2	-
11	5905770	BL SERIES DANGER / WARNING LABEL	2	-

DO NOT SCALE DRAWING

DRAWN TM 02/12/2014  
 CHECKED MR 11/13/2014

THIRD ANGLE PROJECTION

SMILEY FACE

DIMENSIONS ARE IN MM

1645 LEMONWOOD DR.  
 SANTA PAULA, CA 93060

**QUICK-JACK**  
 By Ranger Products

TITLE: BL-3500 PRODUCTION  
 LIFT VER B

SIZE DWG. NO. A 5260110  
 REV D

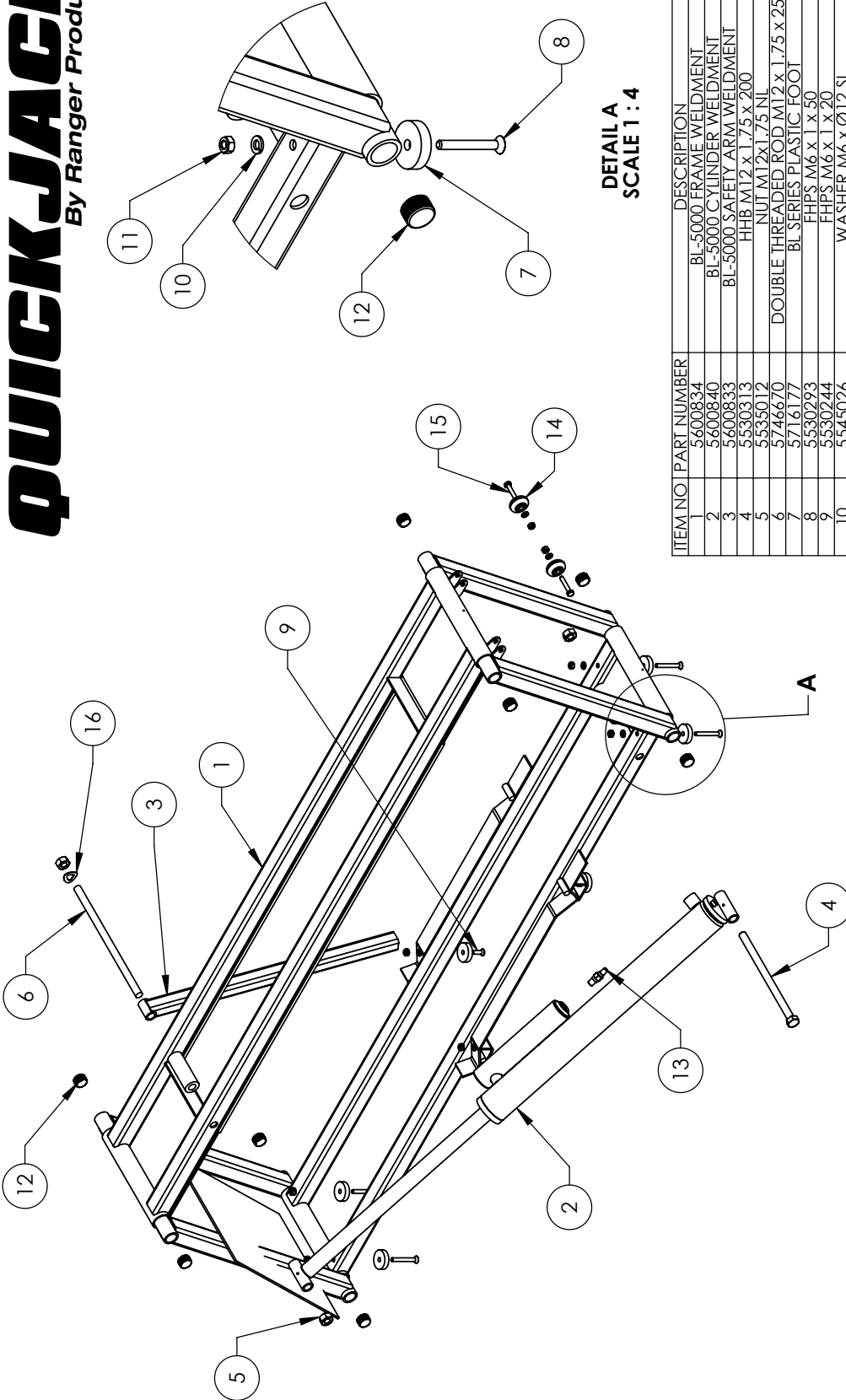
SCALE: 1:14 SHEET 1 OF 3

PROPRIETARY AND CONFIDENTIAL  
 THE INFORMATION CONTAINED IN THIS DRAWING IS THE PROPERTY OF RANGER PRODUCTS, INC. REPRODUCTION IN PART OR AS A WHOLE WITHOUT THE WRITTEN PERMISSION OF RANGER PRODUCTS, INC. IS PROHIBITED.

**NOTE: UNLESS OTHERWISE SPECIFIED, SEE SHIPPING INSTRUCTIONS FOR FINAL PACKAGING**

# QUICK-JACK™

By Ranger Products



DETAIL A  
SCALE 1 : 4

ITEM NO	PART NUMBER	DESCRIPTION	QTY	REV
1	5600834	BL-5000 FRAME WELDMENT	1	C
2	5600840	BL-5000 CYLINDER WELDMENT	1	A
3	5600833	BL-5000 SAFETY ARM WELDMENT	1	A
4	5530813	HFB M12 x 1.75 x 200	1	-
5	5535012	NUT M12 x 1.75 NL	3	-
6	5746670	DOUBLE THREADED ROD M12 x 1.75 x 250	1	-
7	5716177	BL SERIES PLASTIC FOOT	8	C
8	5530293	FHPS M6 x 1 x 50	4	-
9	5530244	FHPS M6 x 1 x 20	4	-
10	5545026	WASHER M6 x Ø12 SL	10	-
11	5535357	NUT M6 x 1.0 NL	10	-
12	5716198	PLASTIC TUBE COVER Ø19mm	8	-
13	5550055	FTG NPL -02 STM x-02 NPT	1	-
14	5716192	BL SERIES PLASTIC WHEEL	2	A
15	5530027	HFB M6 x 1.0 x 35	2	-
16	5545531	WASHER M12 x 24 WAVE	1	-

DO NOT SCALE DRAWING

NAME DATE  
TM 01/28/2014

**QUICK-JACK**  
By Ranger Products  
1645 LEMONWOOD DR.  
SANTA PAULA, CA 93060

DRAWN  
CHECKED

THIRD ANGLE PROJECTION



DIMENSIONS ARE IN MM

TITLE:  
BL-5000 FRAME ASSEMBLY,  
R.H.

SIZE DWG. NO. REV  
A 5215648 C

SCALE: 1:10 SHEET 1 OF 1

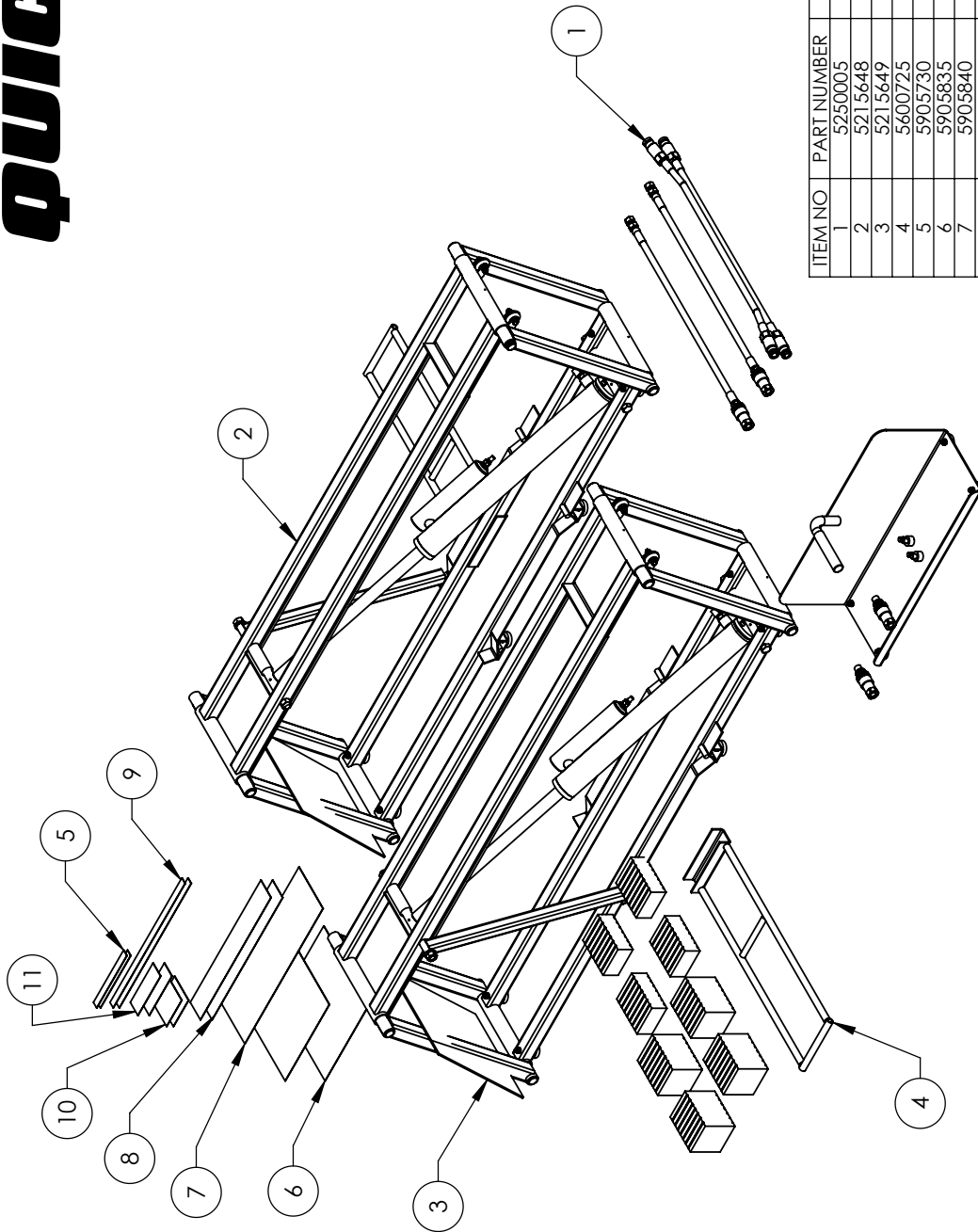
PROPRIETARY AND CONFIDENTIAL  
THIS DRAWING IS THE PROPERTY OF BENDPAK INC. ANY  
REPRODUCTION IN PART OR AS A WHOLE WITHOUT  
THE WRITTEN PERMISSION OF BENDPAK INC. IS  
PROHIBITED.

NEXT ASSEMBLY  
5260238

- NOTE: UNLESS OTHERWISE SPECIFIED.**
- SEE SHIPPING INSTRUCTIONS FOR FINAL PACKAGING
  - ASSEMBLE ITEMS AS SHOWN

# QUICKJACK<sup>™</sup>

By Ranger Products



ITEM NO	PART NUMBER	DESCRIPTION	QTY	REV
1	5250005	BL SERIES PARTS BOX	1	D
2	5215648	BL-5000 FRAME ASSEMBLY, R.H.	1	C
3	5215649	BL-5000 FRAME ASSEMBLY, L.H.	1	C
4	5600725	BL SERIES HANDLE WELDMENT	2	D
5	5905730	BL SERIES SAFETY BAR WARNING LABEL	2	-
6	5905835	BL-5000 CAUTION LABEL	2	-
7	5905840	BL-5000 WARNING INSTRUCTION LABEL	1	-
8	5905745	BL SERIES CYLINDER DECAL	2	-
9	5905750	BL SERIES CAUTION, KEEP HANDS CLEAR	2	-
10	5905765	BL SERIES DO NOT DRIVE ON LABEL	2	-
11	5905770	BL SERIES DANGER / WARNING LABEL	2	-

DO NOT SCALE DRAWING

NAME: \_\_\_\_\_ DATE: \_\_\_\_\_

DRAWN: TM 01/28/2014

CHECKED: MR 11/13/2014

THIRD ANGLE PROJECTION

TITLE: BL-5000 PRODUCTION LIFT VER B

SIZE: DWG. NO. A 5260238 REV D

SCALE: 1:14 SHEET 1 OF 3

1645 LEMONWOOD DR. SANTA PAULA, CA 93060

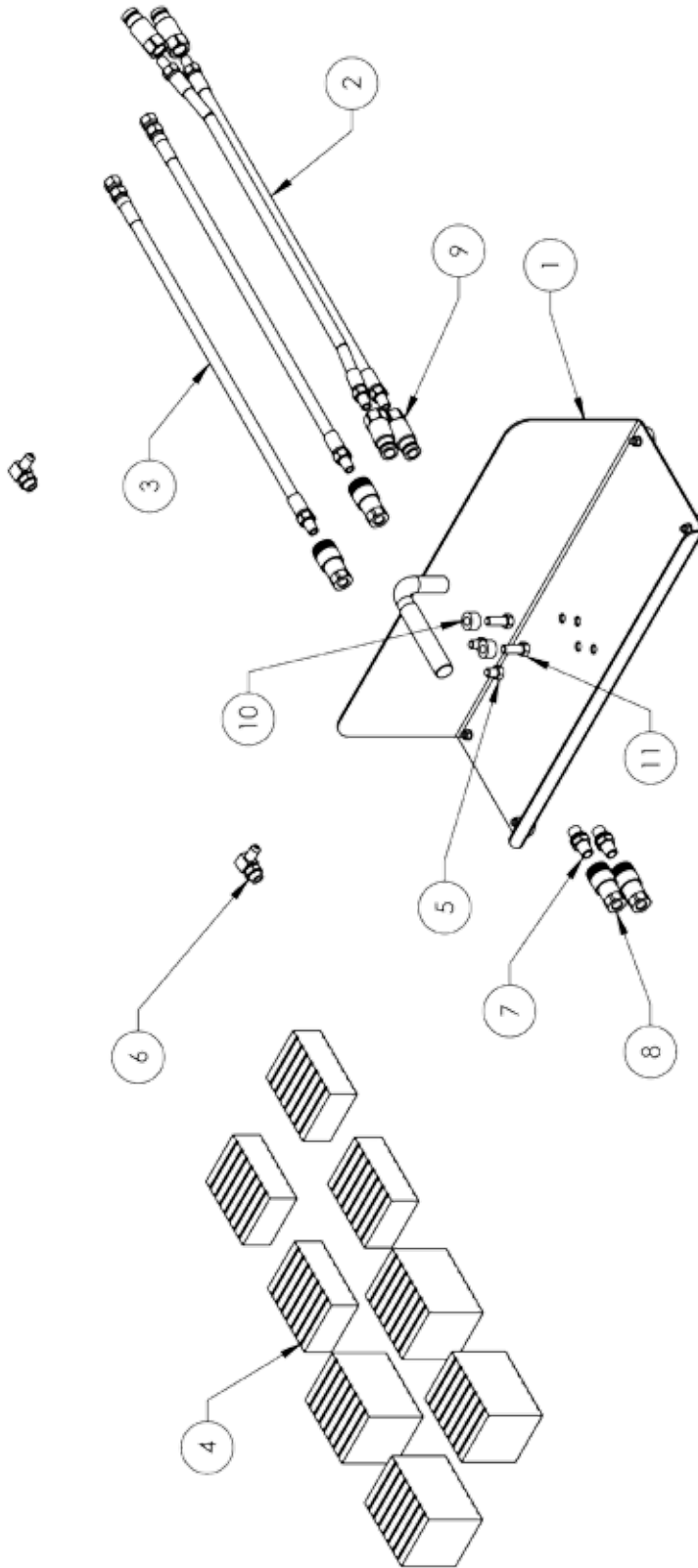
PROPRIETARY AND CONFIDENTIAL  
THE INFORMATION CONTAINED IN THIS DRAWING IS THE PROPERTY OF BENDPAK INC. ANY REPRODUCTION IN PART OR AS A WHOLE WITHOUT THE WRITTEN PERMISSION OF BENDPAK INC. IS PROHIBITED.

**NOTE: UNLESS OTHERWISE SPECIFIED, SEE SHIPPING INSTRUCTIONS FOR FINAL PACKAGING**



# QUICK-JACK™

By Ranger Products



ITEM NO/PART NUMBER	DESCRIPTION	QTY/REV
5215578	BL SERIES PUMP CARRIER ASSEMBLY	E
5570203	BL SERIES TWIN HOSE ASSEMBLY Ø6.4 X 3810mm	C
5570202	BL SERIES HOSE ASSEMBLY Ø6.4 X 603mm	C
5174675	BL SERIES RUBBER PAD KIT	B
5530262	HHB 3/8" 16 X 1/2"	2
5530105	FIG HLB-04 1/4" NPT	2
5550093	FIG NPL-06 1/8" X 1/4" NPT	2
5550031	FIG NPL-04 NPT FX 1/4 QUICK CONNECTOR	4
5550032	COUPLER FEMALE-NON SPILL DESIGN	4
5716027	FIG NPL-04 NPT FX 1/4 QUICK-CONNECTOR	4
5530245	COUPLER MALE-NON SPILL DESIGN	4
	BL-SERIES PLASTIC POWER UNIT ADAPTER	2
	HHB 3/8" 16 X	2

DO NOT SCALE DRAWING

DRAWN	TM	DATE	10/23/2013
CHECKED	MR	DATE	11/13/2014

THIRD ANGLE PROJECTION

QUICK-JACK  
By Ranger Products

1645 LEMONWOOD DR.  
SANTA PAULA, CA 93060

TITLE: BL SERIES PARTS BOX

SEE DWG. NO. 5250005

REV D

SCALE: 1:8

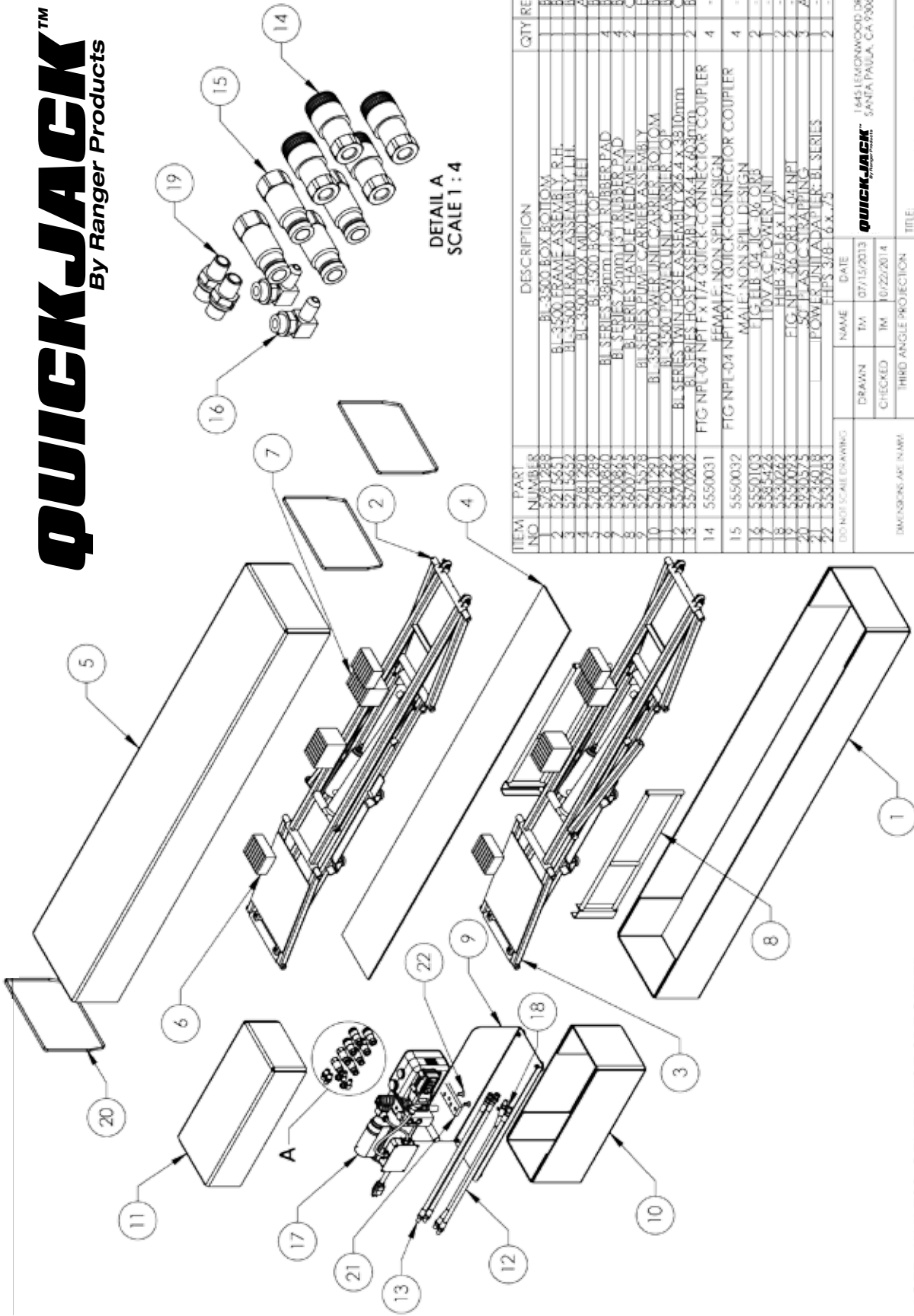
SHEET 1 OF 1

NEXT ASSEMBLY	5260110
	5260111
	5260238

**NOTE: UNLESS OTHERWISE SPECIFIED,**  
1. SEE SHIPPING INSTRUCTIONS FOR FINAL PACKAGING

# QUICK-JACK™

By Ranger Products



DETAIL A  
SCALE 1:4

ITEM NO.	PART NUMBER	DESCRIPTION	QTY	REV
1	5550031	BL-3500 BOX BOTTOM	1	B
2	5550032	BL-3500 FRAME ASSEMBLY R.H.	1	B
3	5550033	BL-3500 FRAME ASSEMBLY L.H.	1	B
4	5550034	BL-3500 BOX MIDDLE SHEET	1	A
5	5550035	BL-3500 BOX TOP COVER PAD	4	B
6	5550036	BL SERIES 2500 JOY WHEEL PAD	4	B
7	5550037	BL SERIES HANDLE WELDMENT	4	B
8	5550038	BL SERIES FRAME ASSEMBLY	2	B
9	5550039	BL-3500 OVAL JOY WHEEL TOP CAP	1	B
10	5550040	BL SERIES JOY WHEEL ASSEMBLY 25.4 X 38.1mm	2	B
11	5550041	BL SERIES JOY WHEEL ASSEMBLY 25.4 X 38.1mm	2	B
12	5550042	FIG NPL-04 NPT X 1/4 QUICK CONNECT COUPLER	4	-
13	5550043	FIG NPL-04 NPT X 1/4 QUICK CONNECT COUPLER	4	-
14	5550044	FIG NPL-04 NPT X 1/4 QUICK CONNECT COUPLER	4	-
15	5550045	FIG NPL-04 NPT X 1/4 QUICK CONNECT COUPLER	4	-
16	5550046	FIG NPL-04 NPT X 1/4 QUICK CONNECT COUPLER	4	-
17	5550047	FIG NPL-04 NPT X 1/4 QUICK CONNECT COUPLER	4	-
18	5550048	FIG NPL-04 NPT X 1/4 QUICK CONNECT COUPLER	4	-
19	5550049	FIG NPL-04 NPT X 1/4 QUICK CONNECT COUPLER	4	-
20	5550050	FIG NPL-04 NPT X 1/4 QUICK CONNECT COUPLER	4	-
21	5550051	FIG NPL-04 NPT X 1/4 QUICK CONNECT COUPLER	4	-
22	5550052	FIG NPL-04 NPT X 1/4 QUICK CONNECT COUPLER	4	-

QUICK-JACK™  
1445 LEONWOOD DR.  
SANTA PAULA, CA 93060

DRAWN: BA 07/15/2013  
CHECKED: BM 10/22/2014

THIRD ANGLE PROJECTION

DISCUSS: A/E NAME

THIRD ANGLE PROJECTION

PROPERTY AND CONFIDENTIALITY NOTICE: THIS DRAWING IS THE PROPERTY OF RANGER PRODUCTS. IT IS TO BE USED ONLY FOR THE PROJECT IDENTIFIED HEREIN.

SCALE: 1:16

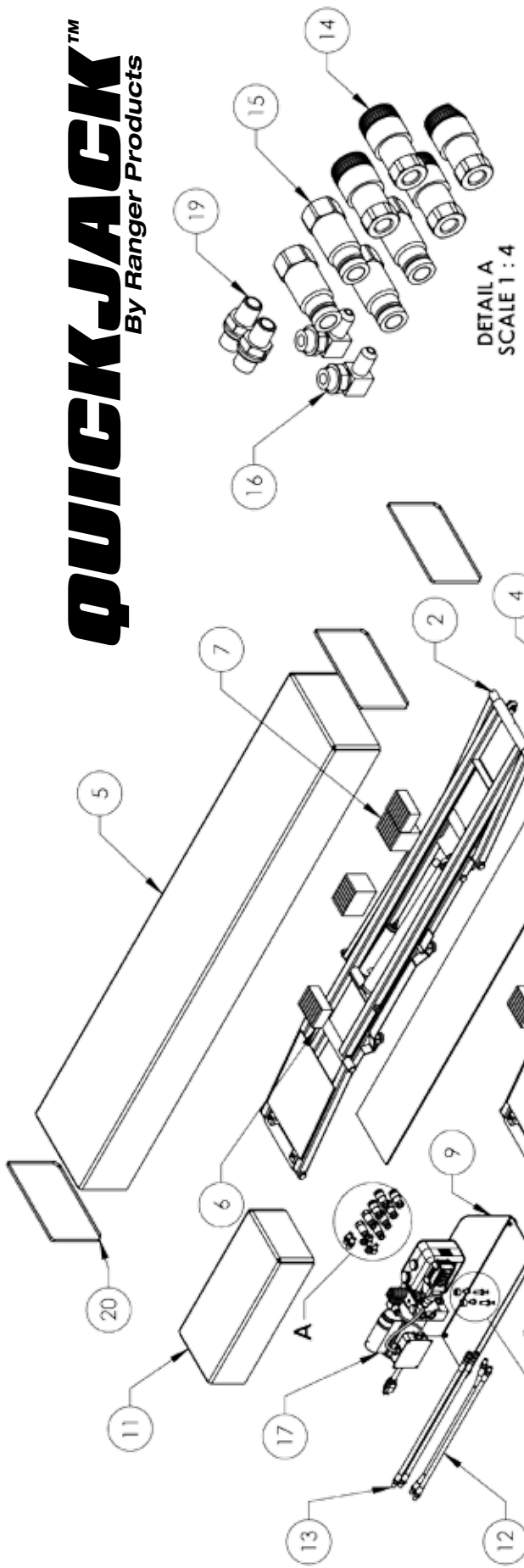
SHEET 1 OF 1

**NOTE: UNLESS OTHERWISE SPECIFIED.**

1. ASSEMBLE ITEMS AS SHOWN
2. HOSES SHOWN IN REPRESENTATIONAL FORM
3. COIL HOSES INSIDE 5215578
4. ADD FITTINGS TO PLASTIC BAG AND SECURE INSIDE 5215578

# QUICK-JACK™

By Ranger Products



DETAIL A  
SCALE 1 : 4

DETAIL B  
SCALE 1 : 4

- NOTE: UNLESS OTHERWISE SPECIFIED.**
- ASSEMBLE ITEMS AS SHOWN
  - HOSES SHOWN IN REPRESENTATIONAL FORM.
  - COIL HOSES INSIDE 5215578
  - ADD FITTINGS TO PLASTIC BAG AND SECURE INSIDE 5215578

ITEM NO	PART NUMBER	DESCRIPTION	QTY	REV
1	5550032	BL-5000/5000 BOX BOTTOM	1	B
2	5550103	BL-5000 FRAME ASSEMBLY R.H.	1	C
3	5550262	BL-5000 FRAME ASSEMBLY L.H.	1	C
4	5550093	BL-4500/5000 BOX MIDDLE SHEET	2	B
5	5550202	BL-4500/5000 BOX TOP	2	B
6	5550093	BL SERIES 38mm I.D. RUBBER PAD	4	B
7	5550093	BL SERIES HANDLE WELDMENT	2	B
8	5550093	BL SERIES PUMP CARRIER ASSEMBLY	2	B
9	5550093	BL SERIES POWER UNIT CARRIER BOX BOTTOM	2	B
10	5550093	BL SERIES POWER UNIT CARRIER BOX TOP	2	B
11	5550093	BL SERIES WASH HOSE ASSEMBLY 26.4 x 381mm	2	C
12	5550093	BL SERIES HOSE ASSEMBLY 26.4 x 403mm	2	C
13	5550093	FIG NPL-04 NPT F X 1/4 QUIC-K CONNECTOR COUPLER	4	-
14	5550031	FIG NPL-04 NPT F X 1/4 QUIC-K CONNECTOR COUPLER	4	-
15	5550032	FIG NPL-04 NPT F X 1/4 QUIC-K CONNECTOR COUPLER	4	-
16	5550103	FIG HBR-04 TIC-06 ORB	2	-
17	5550262	FIG HBR-04 TIC-06 ORB	2	-
18	5550262	FIG HBR-04 TIC-06 ORB	2	-
19	5550093	FIG NPL-06 ORB X 04 NPT	2	A
20	5550093	PLASTIC POWER UNIT ADAPTER	2	A
21	5550093	PLASTIC POWER UNIT ADAPTER	2	A
22	5550245	HHB 3/8 - 16 X	2	-

QUICK-JACK™ 1645 LEMONWOOD DR. SANTA PAULA, CA 93060

DO NOT SCALE DRAWING

DRAWN Ttd 01/31/2014

CHECKED MR 11/13/2014

THIRD ANGLE PROJECTION

SMILEY FACE

PROPRIETARY AND CONFIDENTIAL  
THE INFORMATION CONTAINED IN THIS DRAWING IS THE PROPERTY OF RANGER PRODUCTS, INC. AND IS TO BE USED ONLY FOR THE PROJECT AND FOR WHICH IT WAS PREPARED. REPRODUCTION OR TRANSMISSION OF THIS DRAWING IS PROHIBITED.

BL-5000 PACKAGING

SIZE DWG. NO. REV

A 5215650 D

SCALE: 1:18 SHEET 1 OF 1

# **QUICKJACK™**

By Ranger Products



## *The Ultimate Track Jack*



For Parts Or Service  
Contact:

QuickJack  
1645 Lemonwood Dr.  
Santa Paula, CA 93060  
1-805-421-5114  
Toll Free: 1-888-262-3880

[www.quickjack.com](http://www.quickjack.com)

P/N 5900395

### **NOTE:**

Every effort has been taken to ensure complete and accurate instructions have been included in this manual, however, possible product updates, revisions and or changes may have occurred since this printing. Quickjack™ reserves the right to change specifications without incurring any obligation for equipment previously or subsequently sold.

# **QUICKJACK™**

By Ranger Products