



**KEYSCO TOOLS  
DIVISION OF S&H INDUSTRIES**

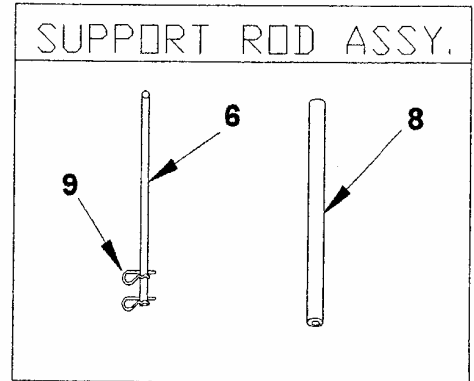
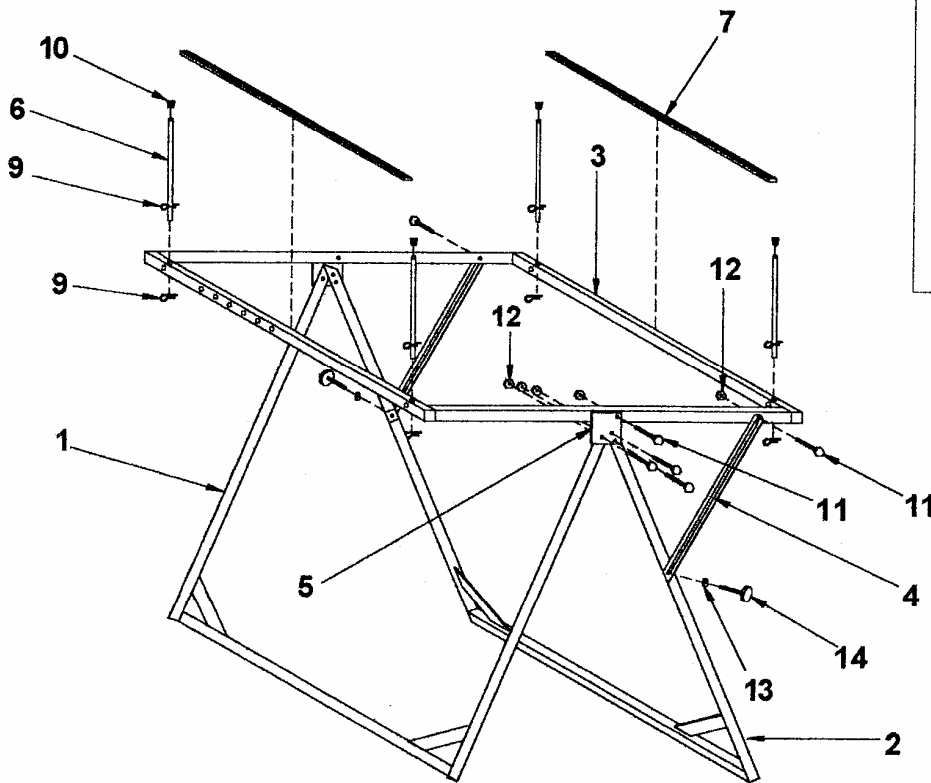
5200 Richmond Road • Cleveland, OH 44146  
 Phone 216-831-0550 • Toll Free 800-253-9726 •  
 Fax 216-831-9573  
 www.shindustries.com  
 E-Mail: www.service@shindustries.com

**MADE IN THE USA**

Rev. 1/19/12

**VARI-ANGLE WORK TABLE – 78025**

The Keysco Tools Vari-Angle Work Table is a heavy-duty, multi-use work stand. Constructed of heavy-gauge square steel tubing. Has infinite angle adjustment of work table surface. Use to hold doors, fenders, deck lids and hoods while painting.



**DO NOT TIGHTEN HARDWARE UNTIL ALL PARTS ARE INSTALLED**

Key #	Part #	Description	Qty.	Key #	Part #	Description	Qty.
1	10784	Left leg assembly	1	8	10795	Protective cover	2
2	10782	Right leg assembly	1	9	10797	Keeper pin	12
3	10788	Table top	1	10	10798	Rubber tips	4
4	10789	Adjusting bar	2	11	10676	1/4-20 x 1-1/2" Bolt	10
5	10790	Mounting plate	2	12	10178	1/4-20 Lock nut	10
6	10791	Support rod	6	13	10218	1/4" Flat washer	2
7	10794	Protective strip	2	14	10678	1/4-20 x 2" Knob	2