

H.P. 5 RPM. 1725 AMPS 22 VOLT. 230 PHASE. 1 Hz 60

MOTOR ENCLOSURE: OPEN DRIPPROOF

CONTROL TYPE: AUTO START / STOP

CONTROL PRESS. SET 145 (PSI) CUT IN, 175 (PSI) CUT OUT

OPTIONS: _____

MODEL NUMBER: GT5B - 80V TANK SIZE: 80

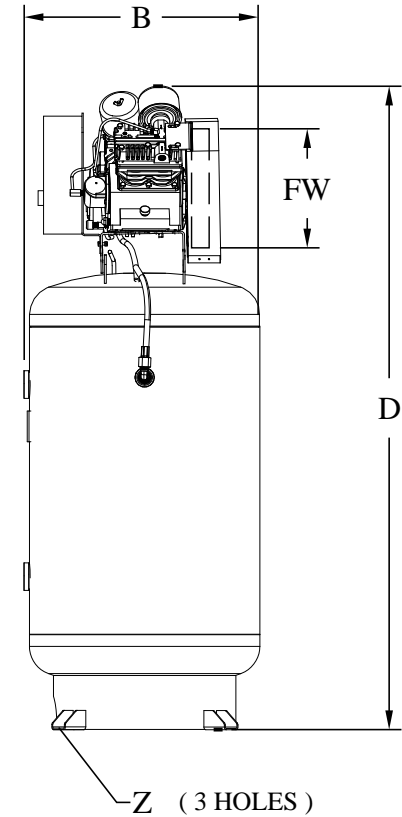
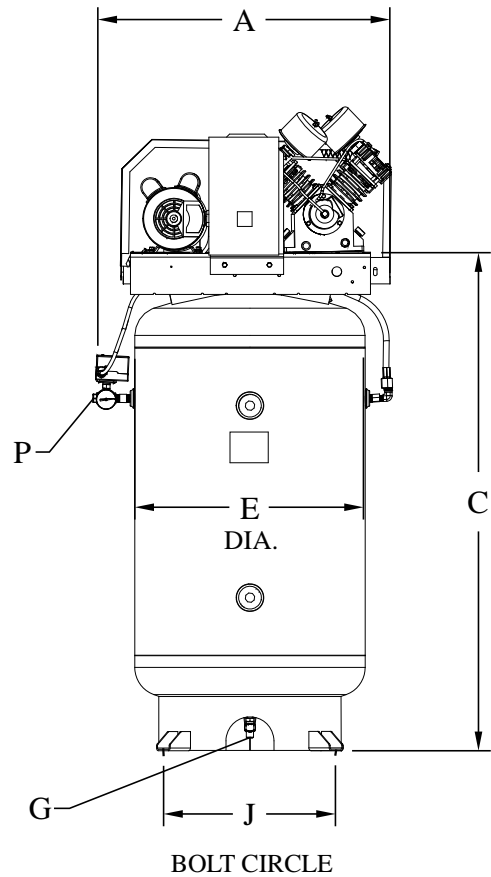
DISPLACEMENT CFM: 18.2 @ 900 RPM

CFM-FA: 15.2 @ 175 PSI DISCHARGE

MAX, WORKING PSI: 175

SHIPPING CONTAINER: _____

LENGTH: _____ WIDTH: _____ HEIGHT: _____



DIMENSIONAL DATA (INCHES)

A	B	C	D	E	G	H	J	FW	P	Z
34	27	53	69 1/2	24	1/4	----	22	13 1/2	1/2	9/16 X 1 SLOT

Jenny
AIR COMPRESSOR

JENNY PRODUCTS, INC.
850 North Pleasant Avenue
Somerset, Pennsylvania 15501
Ph : 814 - 445 - 3400