

# ProLine

## TOOL & SUPPLY, LLC

### LK4055 BOX DOLLY



[www.prolinetoolsupply.com](http://www.prolinetoolsupply.com)

(989) 315-8946

# Table of Contents

BOX DOLLY	<b>3</b>
-----	-----
SPECIFICATIONS	<b>3</b>
-----	-----
PARTS & HARDWARE	<b>4</b>
-----	-----
ASSEMBLY GUIDE	<b>5</b>
-----	-----
OPERATION	<b>6</b>
-----	-----

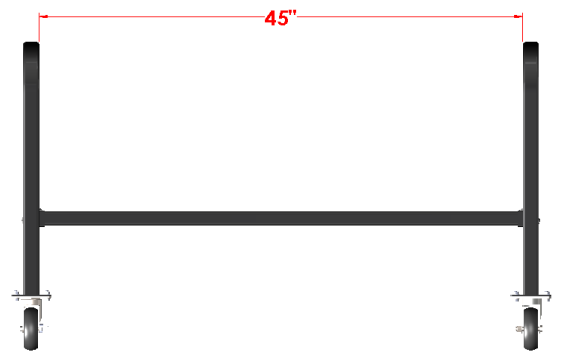
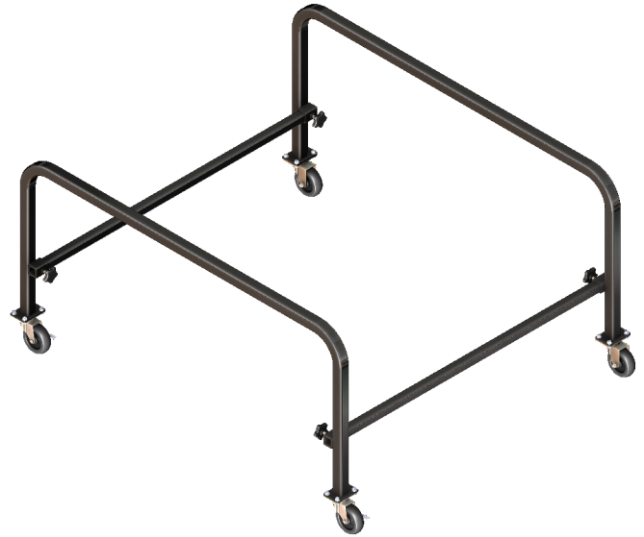
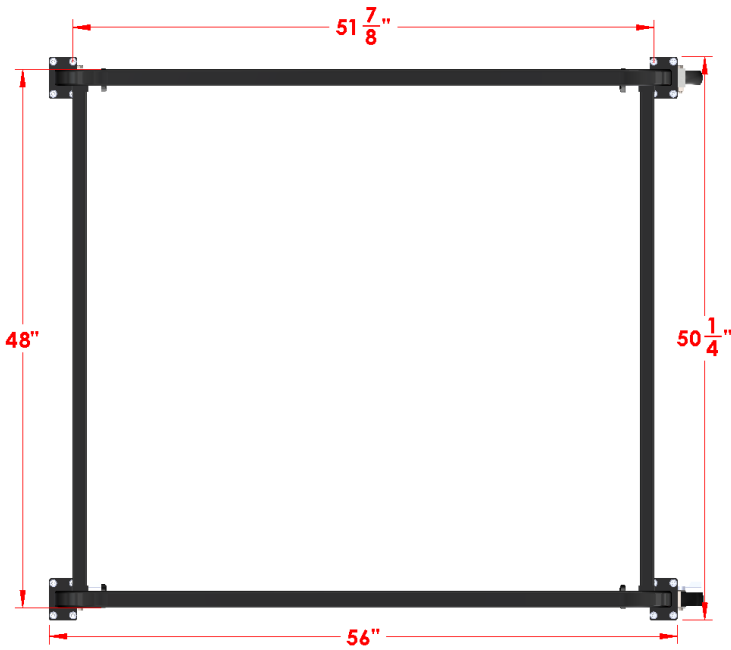
If you have any questions or comments, please call 1 (989) 315-8946.

**Proline Tool & Supply, LLC**  
**210 Pigeon Rd Bad Axe MI 48413 US**  
**(989) 315-8946**

# Box Dolly

The LK4055 Box Dolly allows the pickup box to be moved around the shop with ease. The dolly is adjustable, fits most pickup boxes and breaks down in a matter of seconds for easy storage.

## Specifications

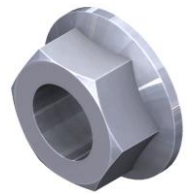


# Parts

PartNo	Description	QTY.
*	5/16-18 x 3/4 HEX BOLT	16
*	5/16-18 HEX FLANGE NUT	16
*	2 x 48 GREY NON-SKID TAPE	2
LK-H006	3/8-16 STARKNOB	4
LK-H013	CASTER	2
LK-H018	CASTER, LOCKING	2
LK4032	BOX DOLLY LEG	2
LK4033	BOX DOLLY CROSSBAR	2



5/16-18 x 3/4 hex bolt



5/16-18 hex flange nut



2 x 48 grey non-skid tape



LK-H006



LK-H013



LK-H018



LK4032

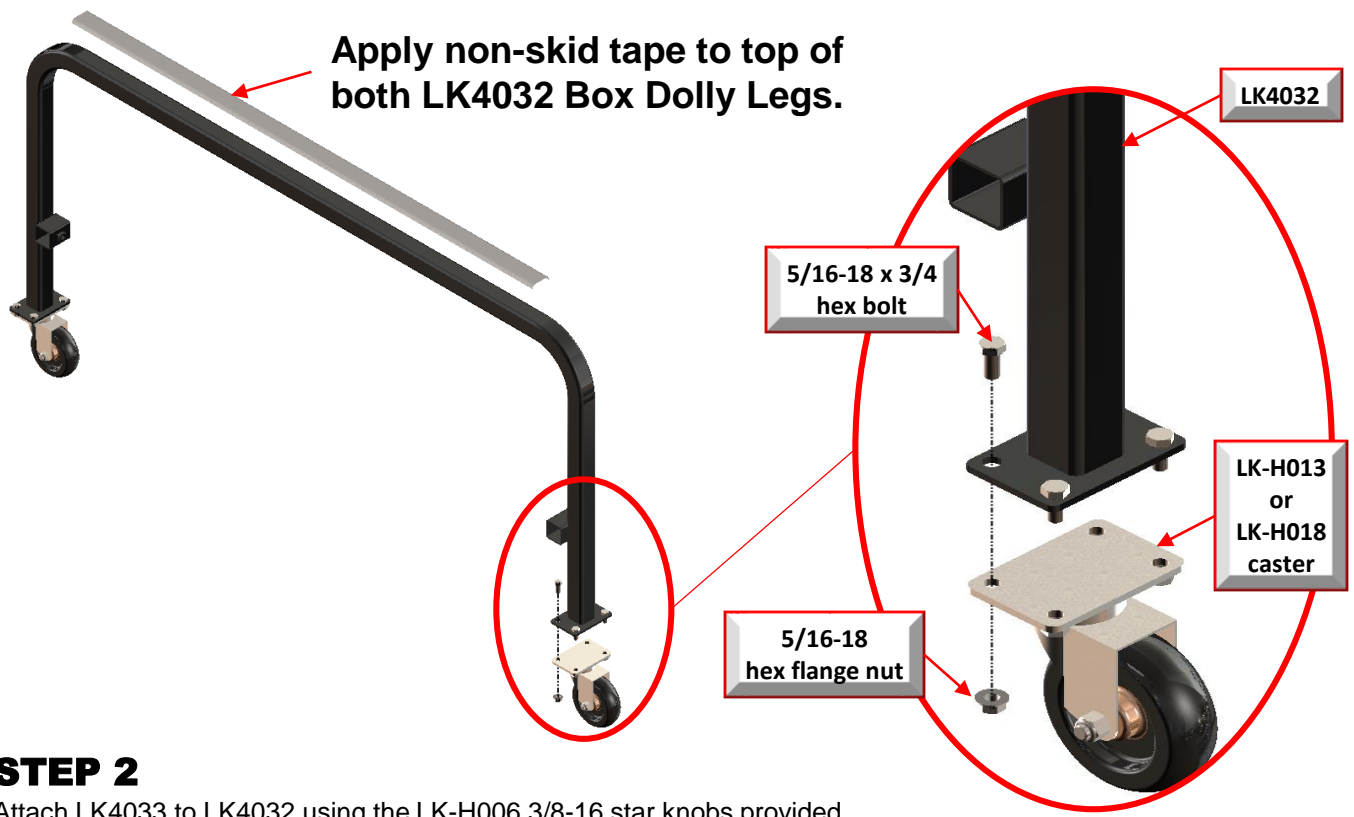


LK4033

# Assembly

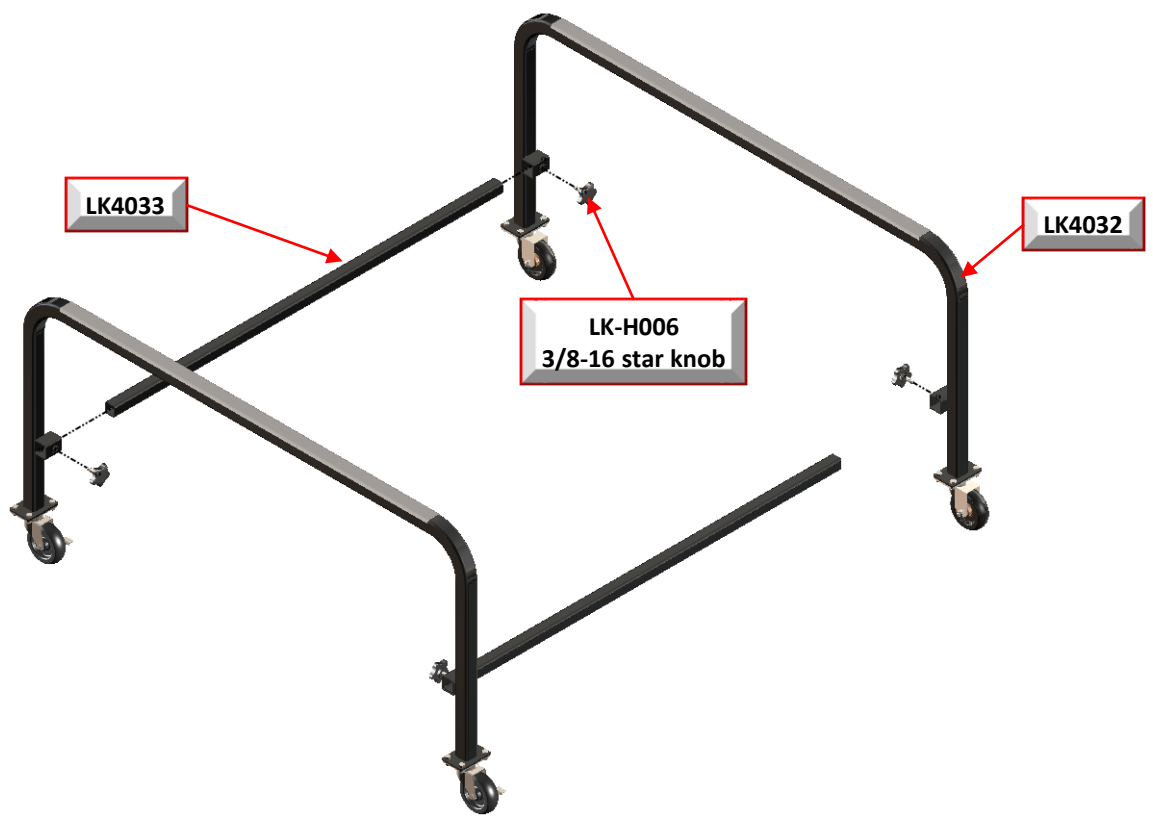
## STEP 1

Attach LK-H013 & LK-H018 casters to LK4032 legs using the 5/16 fasteners provided. Apply non-skid tape as shown.



## STEP 2

Attach LK4033 to LK4032 using the LK-H006 3/8-16 star knobs provided.



# Operation

## STEP 1

While the pickup box is attached to the LK4000 Lift King (Main Component), slide the LK4055 Box Dolly under the pickup box. Carefully lower the bed onto the Box Dolly and detach from the LK4000.



## STEP 2

After the pickup box is detached from the LK4000, it can be easily moved around the shop using the LK4055 Box Dolly.

