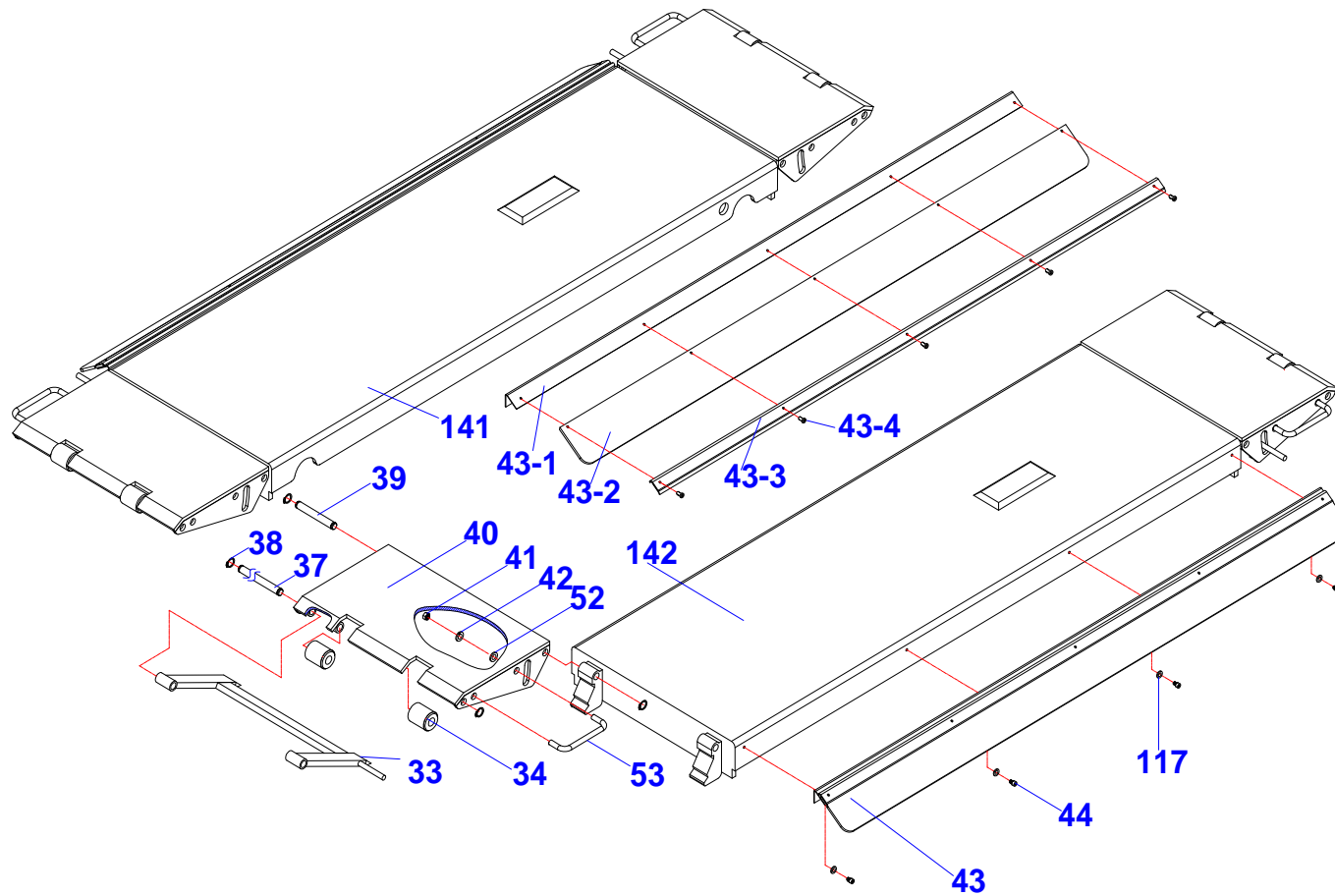




KERNEL 161108A<JP16>MR6K-38

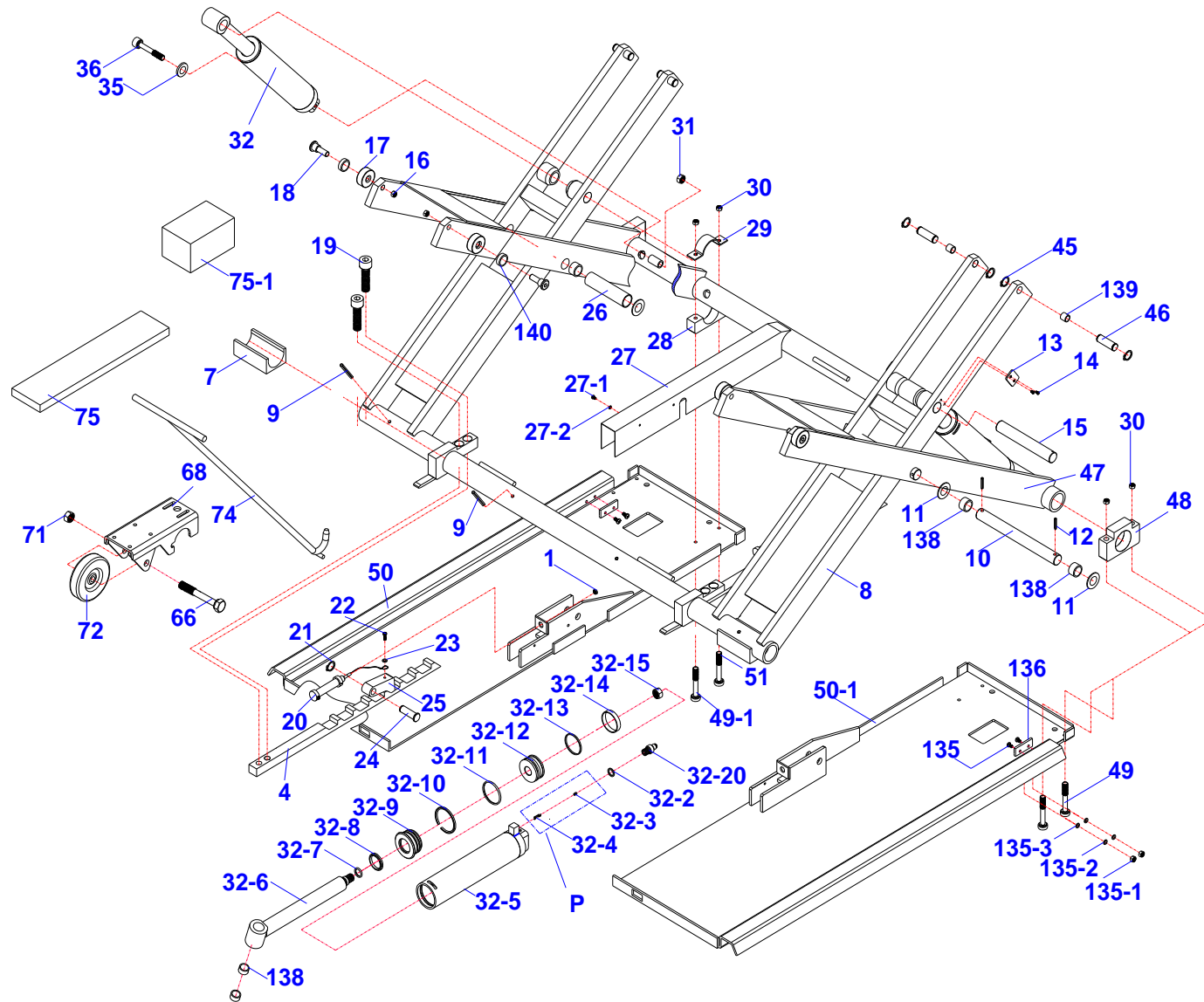
VERSION: May 2014





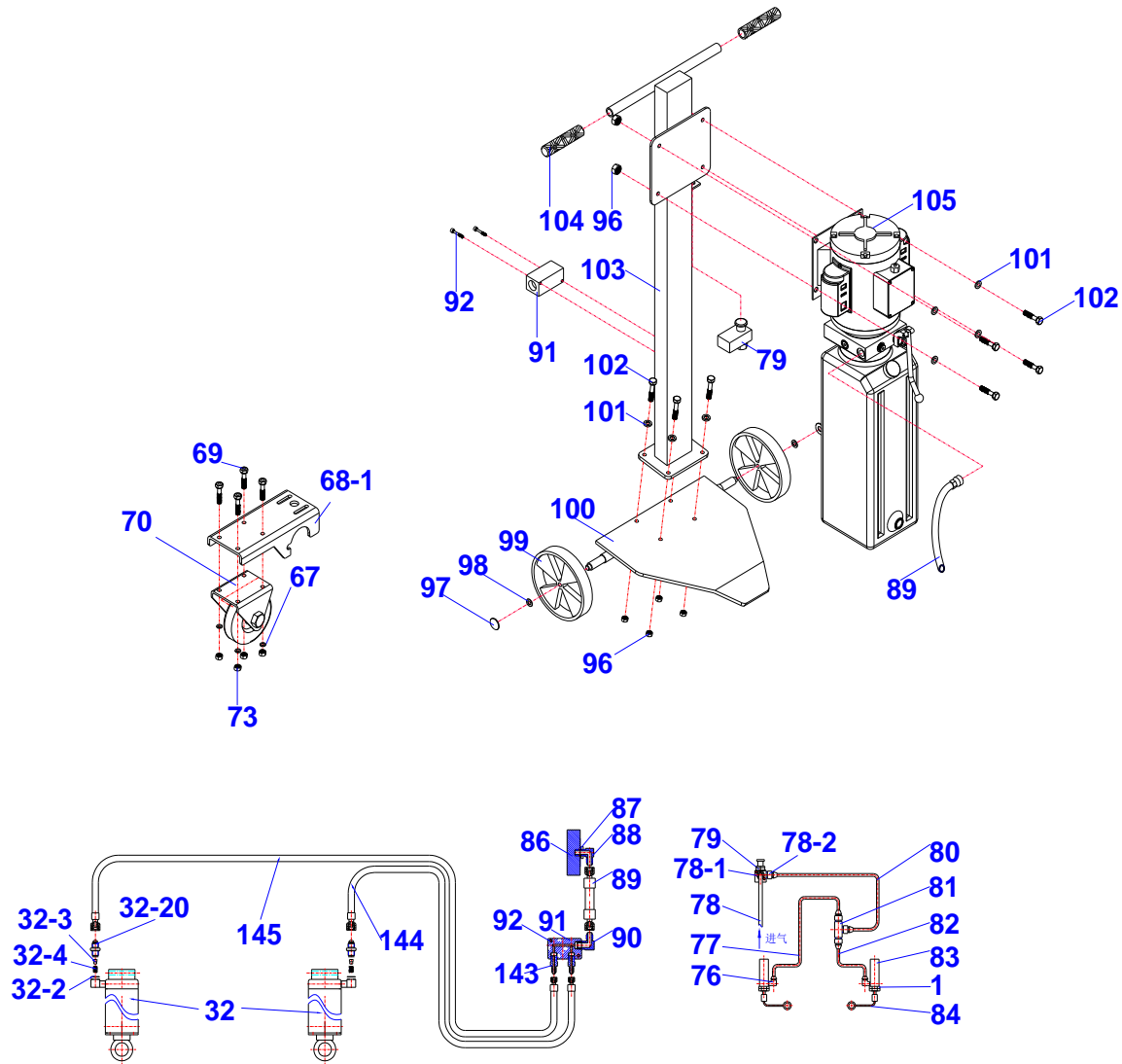
KERNEL 161108A<JP16>MR6K-38

VERSION: May 2014





KERNEL 161108A<JP16>MR6K-38





KERNEL 161108A<JP16>MR6K-38

VERSION: May 2014

ITEM	CODE	DESCRIPTION	QTY
1	JP16-25006-000	nut	4
4	JP16-00008-000	gear bar	2
7	JP16-00011-000	half moon rubber	2
8	JP16-03000-000	inside scissor (left)	1
8-1	JP16-03000-000	inside scissor (right)	1
9	5402-08060-000	cotter	4
10	JP16-00006-000	middle shaft	2
11	5301-00030-000	flat washer	4
12	5402-06040-000	cotter	4
13	JP16-00005-000	position board	2
14	5105-05006-000	socket csrew	4
15	JP16-00014-000	position board	2
16	5201-00014-000	nut	4
17	JP16-00020-000	roller	4
18	JP16-00017-000	roller screw	4
19	5105-16043-000	socket csrew	4
20	JP16-25400-000	air cylinder	2
21	5304-00018-000	circlips	2
22	5101-06012-000	bolt	2
23	5301-00006-000	flat washer	2
24	JP16-00013-000	lock hook pin	2
25	JP16-00012-000	lock hook	2
26	JP16-00007-000	middle shaft sleeve	2
27	JP16-00004-000	latch cover	2
27--1	5110-05010-000	screw	4
27--2	5301-00005-000	flat washer	4
28	JP16-00003-000	shaft seat	2
29	JP16-00002-000	seat cover	2
30	5201-00012-000	nut	8

ITEM	CODE	DESCRIPTION	QTY
31	5206-00008-000	slef lock nut	2
32	JP16-06000-000	cyliner	2
32-2	JP16-06007-000	copper washer	2
P		throttle valve	2
32-3	JP16-06006-000	throttle washer	2
32-4	QY02-02101-000	spring	2
32-5	JP16-06100-000	cylinder body	2
32-6	JP16-06200-000	piston bar	2
32-7	5901-00200-000	O-ring	2
32-8	5906-00380-000	dust ring	2
32-9	JP16-06004-000	guide ring	2
32-10	JP16-06005-000	steel ring	2
32-11	5901-00650-000	Oring	2
32-12	JP16-06001-000	piston bar	2
32-13	5901-00700-000	park ting	2
32-14	JP16-06002-000	guide belt	2
32-15	5201-00020-000	nut	2
32-20	JP16-06008-000	connector	2
33	JP16-14000-000	ramp support	4
34	JP16-12108-000	roller	8
35	5301-00008-000	washer	2
36	5105-08080-000	socket csrew	2
37	JP16-00015-000	ramp shaft	4
38	5304-00014-000	circlips	24
39	JP16-00016-000	ramp support axle	8
40	JP16-12100-000	front ramp	4
41	5201-00010-000	nut	8
42	5303-00010-000	spring washer	8
43	JP16-16000-100	side board assembly	2

ITEM	CODE	DESCRIPTION	QTY
43-1	JP16-16008-000	fixing board	2
43-2	JP16-16010-000	nylon plate	2
43-3	JP16-16009-000	cover board	2
43-4	5504-04006-000	rivet	10
44	5105-05015-000	socket csrew	8
45	5304-00020-000	circlips	8
46	JP16-00018-000	upper pin	4
47	JP16-01000-000	outer scissor	1
48	JP16-00001-000	front shaft block	2
49	5116-12085-000	socket csrew	4
49-1	5116-12065-000	socket csrew	4
50	JP16-10000-000	left bottom	1
50-1	JP16-11000-000	right bottom	1
51	5107-08050-000	screw	4
52	5301-00010-000	flat washer	8
53	JP16-12001-000	handle	4
66	5101-08064-000	nut	3
67	5301-00008-000	flat washer	12
68	JP16-05001-000	wheel plate-1	2
68-1	JP16-05001-001	wheel plate-2	1
69	5109-08020-000	socket csrew	4
70	JP16-05002-001	swivel wheel	1
71	5201-00008-000	nut	2
72	JP16-05003-000	roller	2
73	5206-00008-000	selflock nut	4
74	JP16-04000-000	pull bar	1
75	JP16-00019-000	rubber plate	4
75-1	JP09-00008-000	rubber block	4
76	JP16-25100-000	angle quick fitting	2

