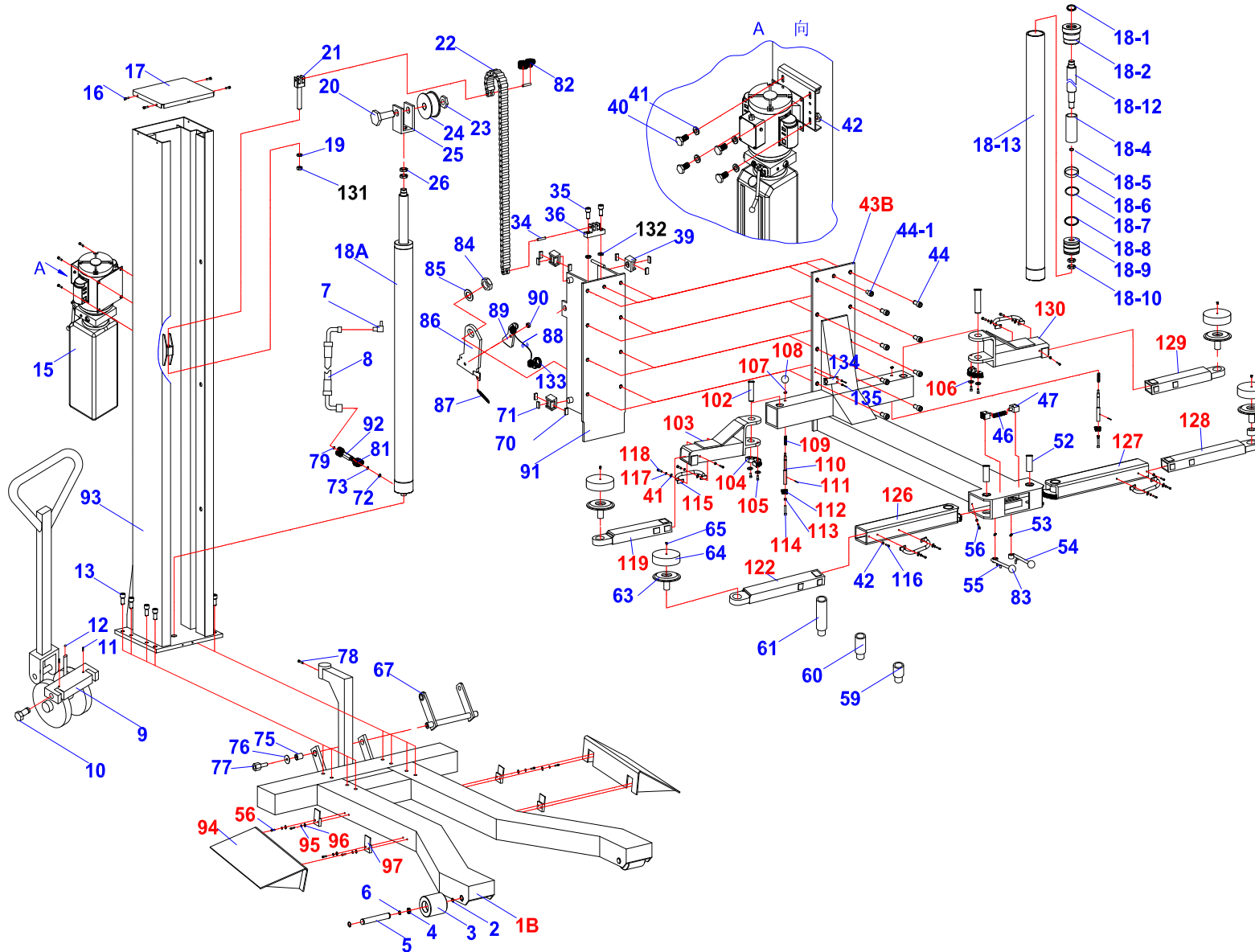




# KERNEL 167251 <DJ01BS> MSC-6K

Kernel edition: 2.00  
2013 Oct.



# KERNEL 167251 <DJ01BS> MSC-6K

Kernel edition: 2.00  
2013 Oct.

ITEM	CODE	DESCRIPTION	QTY
1B	DJ01-01000-A00	Base plate	1
2	5304-00025-000	Circlip	4
3	DJ01-01504-000	roller	2
4	5602-52025-000	Bearing	4
5	DJ01-01506-000	axle	2
6	DJ01-01505-000	Bushing	4
7	JP09-04002-000	angle fitting	1
8	DJ01-13200-000	Hose	1
9	DJ01-15000-000	Dolly	1
10	DJ01-10004-000	Pin	2
11	5402-00006-000	cotter pin	2
12	5601-00018-000	steel ball	1
13	5105-16040-000	socket bolt	8
93	DJ01-02000-B00	Column	1
15	BZ06	Power Unit	1
16	5105-06020-000	socket bolt	4
17	DJ01-00005-000	Cover	1
18A	DJ01-13000-000	Hydraulic cylinder	1
18-1	5906-00030-000	Dust ring	1
18-2	DJ01-13003-000	Guide ring	1
18-12	DJ01-13002-000	Piston rod	1
18-4	DJ01-13004-000	Sheath	1
18-5	5901-00030-000	O ring	1
18-6	DJ01-13005-000	Guide ring	1
18-7	5901-00066-000	O ring	1
18-8	5905-00065-000	U ring	1
18-9	DJ01-13006-000	Piston	1
18-10	DJ01-13007-000	Nut	2
18-13	DJ01-13100-000	Cylinder body	1
19	5201-00020-000	Nut	1
20	DJ01-12002-000	axle	1
21	DJ01-00003-000	chain upper block	1

ITEM	CODE	DESCRIPTION	QTY
22	DJ01-14000-000	Chain	1
23	5206-00024-000	self-lock Nut	1
24	DJ01-12001-000	roller	1
25	DJ01-12000-000	roller seat	1
26	DJ01-13001-000	Nut	2
34	DJ01-00004-000	Chain shaft	2
35	5105-16060-000	socket bolt	2
36	DJ01-00001-000	chain down block	1
38	5201-00016-000	Nut	2
39	DJ01-08006-000	slider frame	4
40	5101-08025-000	Bolt	4
41	5301-00008-000	Flat washer	24
42	5201-00008-000	Nut	8
43B	DJ01-03000-000	lifting frame	1
44	5105-16035-000	Bolt	8
44-1	5105-16025-000	Bolt	1
46	DJ01-03008-000	Spring	1
47	DJ01-03007-000	gear block	2
52	DJ01-11000-000	Pin	2
53	5304-00014-000	Circlip	2
54	DJ01-03300-000	locking handle(Right)	1
55	DJ01-03200-000	locking handle(left)	1
56	5105-06025-000	Bolt	10
59	SJ01-00003-000	adapter 1#	4
60	SJ01-00004-000	adapter 2#	4
61	SJ01-00005-000	adapter 3#	4
63	SJ03-06000-000	lifting pad	4
64	SJ03-00008-000	Rubber pad	4
65	5107-06012-000	Screw	4
67	DJ01-10000-000	connecting frame	1
91	DJ05-08100-000	carriage	1
70	DJ01-08007-000	Slide Block	8

ITEM	CODE	DESCRIPTION	QTY
71	DJ01-08008-000	Slide Block	4
72	5309-00010-000	copper wash	1
73	DJ01-13304-000	throttling Washer	1
92	DJ01-13300-000	Connection hose	1
75	DJ01-10005-000	Bushing	2
76	DJ01-00006-000	Flat washer	2
77	5105-12035-000	Bolt	2
78	5105-10025-000	Bolt	1
79	5901-00006-000	O ring	1
80	5303-00016-000		2
81	DJ01-13008-000	Circlip	1
82	5404-03020-000	pin	4
83	DJ01-03006-000	knob	2
84	5206-00030-000	nut	1
85	5301-00035-000	flat washer	1
86	DJ05-08205-000	locking board	1
87	SJ01-07007-000	spring	1
88	DJ05-08201-000	release cable	1
89	DJ05-08206-000	release board	1
90	5206-00010-000	thin nut	1
94	DJ01-01300-A00	ramp	2
95	5303-00006-000	spring washer	10
96	5301-00006-000	falt washer	10
97	DJ05-01005-000	hook	4
102	SJ06-00005-000	arm pin	2
103	DJ01-04200-A00	front-right arm	1
104	SJ03-00031-000	half moon gear block	2
105	5101-10040-000	bolt	4
106	5301-00010-000	Flat washer	4
107	5304-00018-000	Circlip	2
108	SJ03-00013-000	pull ring	2
109	DJ01-00002-A00	spring	2



# KERNEL 167251 <DJ01BS> MSC-6K

Kernel edition: 2.00  
2013 Oct.

ITEM	CODE	DESCRIPTION	QTY
110	DJ01-00003-A00	small gear shaft	2
111	5402-06038-000	cotter pin	2
112	SJ01-00023-000	small corn gear	2
113	5201-00012-007	nut	2
114	5105-12040-000	screw	2
115	DJ01-08000-A00	protection bar	4
116	5105-08025-000	bolt	8
117	5303-00008-000	spring washer	16
118	5105-08012-000	bolt	8
119	DJ01-04100-B00	front-right extention	1
122	DJ01-09100-B00	front-left extention	1
126	DJ01-09300-A00	front-left arm	1
127	DJ01-16300-A00	rear-left arm	1
128	DJ01-16100-B00	rear-left extention	1
129	DJ01-14100-B00	rear right estention	1
130	DJ01-14200-A08	rear-right arm	1
131	5206-00020-000	nut	1
132	5206-00016-000	nut	2
133	SJ13-00013-000	ring	1
134	DJ01-00008-000	cable support	1
135	5105-06015-000	bolt	2

ITEM	CODE	DESCRIPTION	QTY	ITEM	CODE	DESCRIPTION	QTY
------	------	-------------	-----	------	------	-------------	-----

