

# MINI SANDBLASTER

## XH-SBC30



**OWNER'S MANUAL**

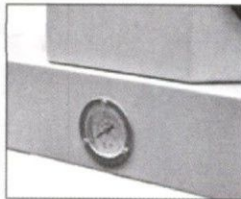
## Description

XH-SBC30 Mini Abrasive Blast Cabinet is designed for cleaning, polishing and finishing with dry abrasive ONLY.

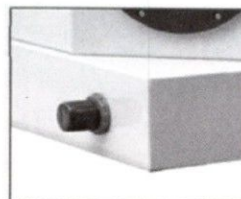
## Product Specification:

|                       |                        |
|-----------------------|------------------------|
| Sand Loading Capacity | 12 lbs                 |
| Input Voltage         | 230V/50Hz or 120V/60Hz |
| Power                 | 6w                     |
| Air Requirement       | 125PSI                 |
| Working area          | 410*310*200 mm         |

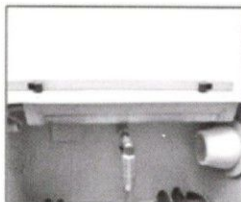
## Your Product:



Pressure gauge



Air Regulator



LED light



Foot pedal



Filter



Glove

## Safety Information:

Any blast cabinet will produce a powerful flow of abrasive Particles. Please avoid personal injury and property damage. Study this manual thoroughly before assembling, operating or servicing this blast cabinet.

### **⚠ WARNING**

1. *During operation, do not expose the hands or skin directly in the line of the blast nozzle.*
2. *Ensure all components seal properly after assembly.*
3. *Do not exceed the maximum operating pressure of the blasting equipment*
4. *Disconnect the cabinet from the air supply before changing accessories or attempting to install, service, relocate or perform any maintenance.*
5. *Check hoses and air lines for weak or worn condition before each use. Make sure all the connections are secure before use.*
6. *Do not point the abrasive blaster gun at anyone or objects*

### **⚠ DANGER**

*Chemicals, including lead includes in this product or its power cord.*

*Wash hands after handling*



### **⚠ DANGER**

*The dust can be created when you sweep, blast, cut, sand, drill or grind materials such as wood, paint, metal, concrete, cement, or other masonry. This dust often contains chemicals known to cause cancer, birth defects, or other reproductive harm. Wear protective gear.*



### **⚠ DANGER**

*Fire or Explosion Hazard! DO NOT USE a sand blaster around combustible or flammable liquids, dusts, gases, oily rags, or other materials that can explode or burn quickly. Some abrasives create sparks when they hit metal. Abrasives similar to aluminum oxide may generate static electric sparks which will cause fires or explosions in an unsafe environment.*



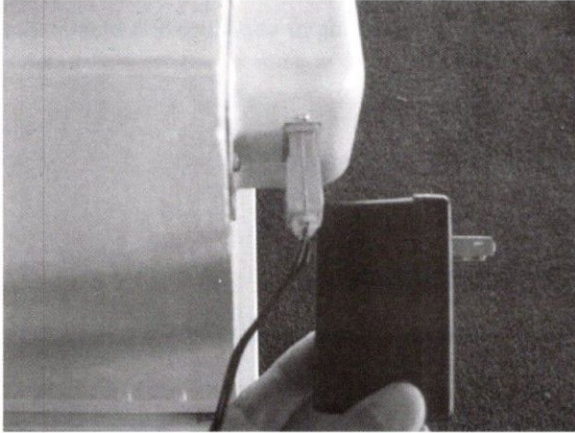
### **⚠ DANGER**

*Static electric shocks can be painful. Please wear leather or rubber soled shoes or boots and stand on the ground to avoid static electricity. A grounded wire attached to the sand blast gun will safely remove the static electricity.*

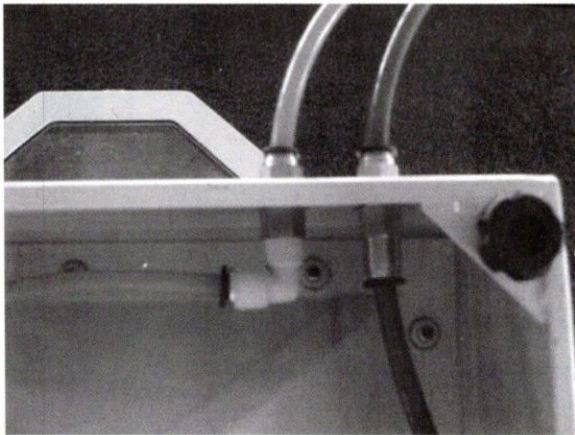


## Assembly:

1. AC adaptor connection: Connect AC adaptor to the switch box.



2. Foot pedal connection: Connect foot pedal control line to the cabinet. Please pay attention to line color.



## Operation:

Please follow these instructions before supplying air to the cabinet.

1. Place cabinet on a workbench where you will be working.
2. Connect air supply (max. 115 psi) to the fitting on the side of the cabinet
3. Check if there are any leaks for air. If any, repairing or adding Teflon tape is needed.
4. Plug the 12V power supply into wall outlet. Check if the light works
5. Add a PE film to the inside surface of the glass door
6. Eye protection need to be done before load no more than 10 pounds of abrasive media in to the cabinet. Excessiveness will cause the ineffective performance.
7. Close and latch door.
8. Protect your hands in gloves, aim blast nozzle at surface to be cleaned by foot pedal control.
9. Move the blast stream continuously over the part in an even and circular motion.

## Maintenance:

**NOTE:** Disconnect power and air before the maintenance.

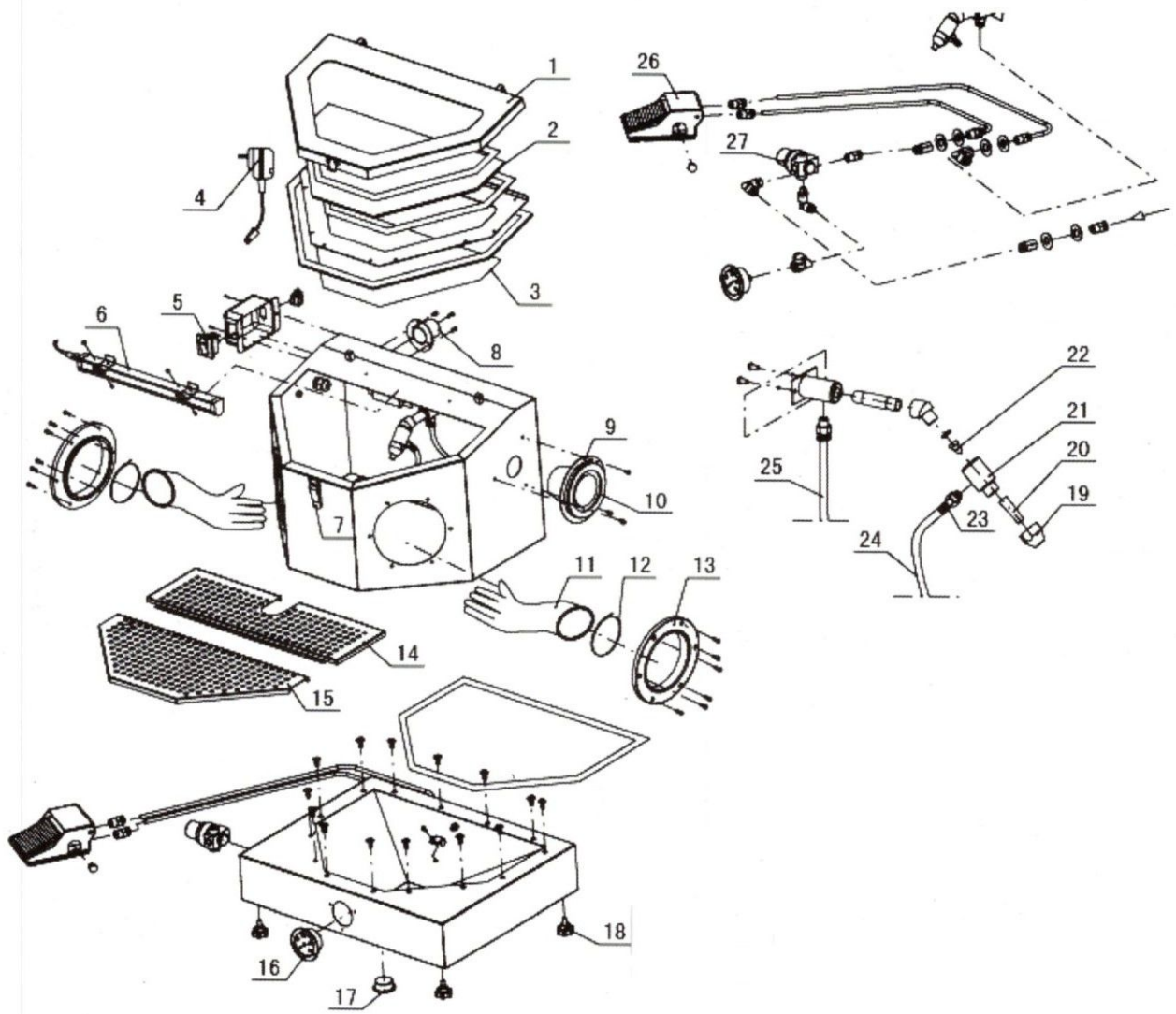
**Cleaning:** please clean the plastic door or parts with a soft cloth. DO NOT use solvents to clean.

**Avoiding Block:** the moist media will cause the block of nozzle. Try dislodging the media with a drill bit.

## Troubleshooting:

| Symptom (s)                         | Possible Causes(s)                                | Corrective Action(s)   |
|-------------------------------------|---|--|
| Excessive dust in the cabinet       | 1. Exhaust vent or air flow block                 | 1. Clean the vent and keep it away from any wall.                      |
|                                     | 2. Air fittings and connections loosing.          | 2. Tighten fittings and make sure all the connections are secure.      |
|                                     | 3. Overload abrasive media inside of the cabinet. | 3. Remove the excessive media.   |
| Uneven blasting actions             | 1. moisture present inside of the cabinet         | 1. See Caution in General Safety Information.                          |
| Improper speed or Inefficient blast | 1. Abrasive media worn.                           | 1. Replace media   |
|                                     | 2. Pressure too low                               | 2. Increase inlet pressure and make sure control valve is fully opened |
| Gun will not shut off               | 1. Wrong connection of foot pedal control line.   | Connect foot pedal control line correctly.                             |
|                                     | 2. Loose of foot pedal control line.              |  |

# Diagram and List:



| No. | DESCRIPTION         | QTY |
|-----|---------------------|-----|
| 1   | Front door          | 1   |
| 2   | Organic glass       | 1   |
| 3   | PE film             | 1   |
| 4   | Adaptor             | 1   |
| 5   | Switch              | 1   |
| 6   | LED light           | 1   |
| 7   | Latch               | 1   |
| 8   | Vacuum seat         | 1   |
| 9   | Filter ring         | 1   |
| 10  | Filter              | 1   |
| 11  | Glove               | 1   |
| 12  | Ribbon              | 2   |
| 13  | Glove seat          | 2   |
| 14  | Grid                | 1   |
| 15  | Grid                | 1   |
| 16  | Pressure gauge      | 1   |
| 17  | Plug                | 1   |
| 18  | Cushion             | 4   |
| 19  | Nozzle lock nut     | 1   |
| 20  | Nozzle 3.5mm        | 1   |
| 21  | Gun body            | 1   |
| 22  | Air jet             | 1   |
| 23  | Sand hose connector | 1   |
| 24  | Sand hose           | 1   |
| 25  | Air hose            | 1   |
| 26  | Foot pedal          | 1   |
| 27  | Air regulator       | 1   |