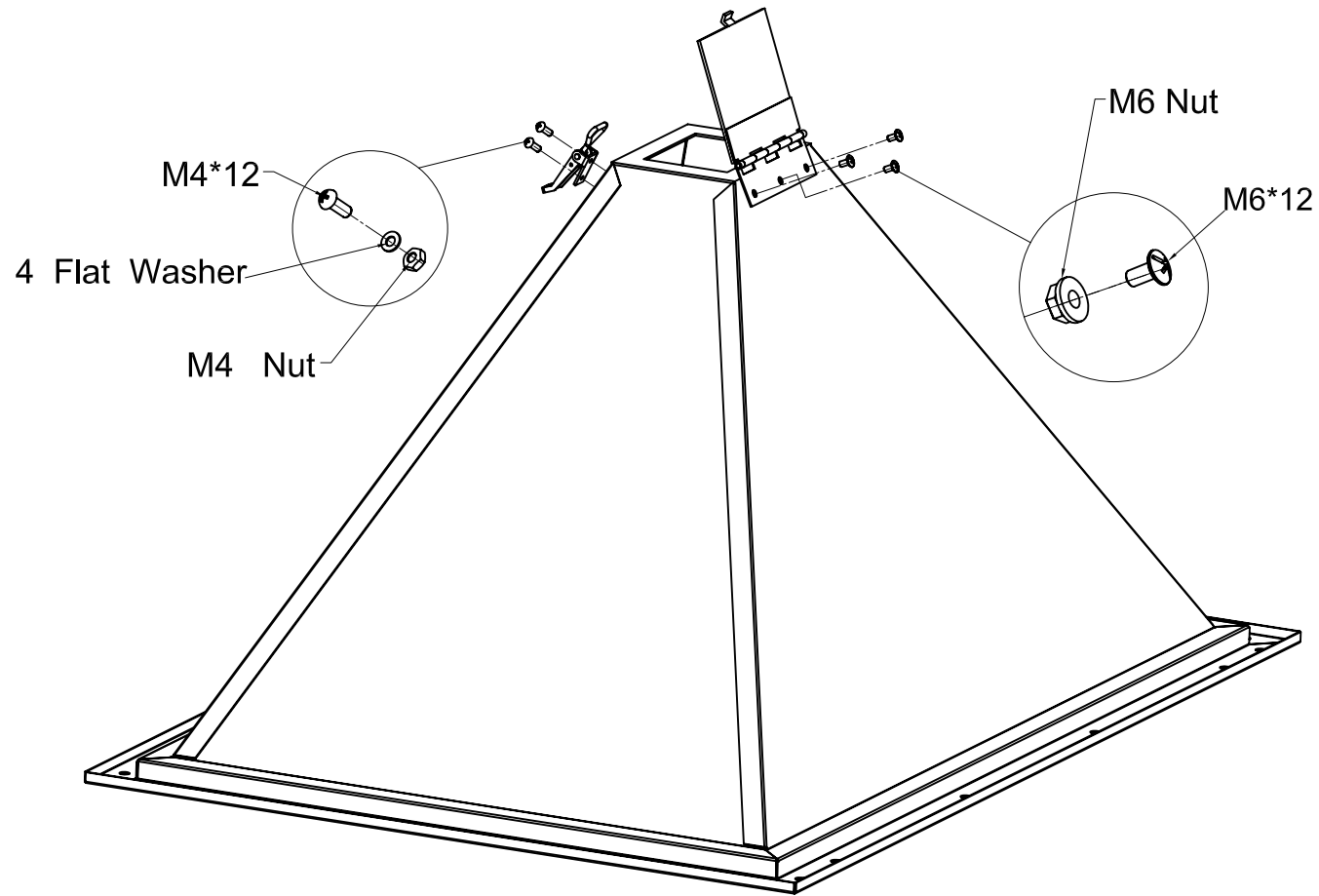


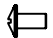
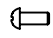
# 1



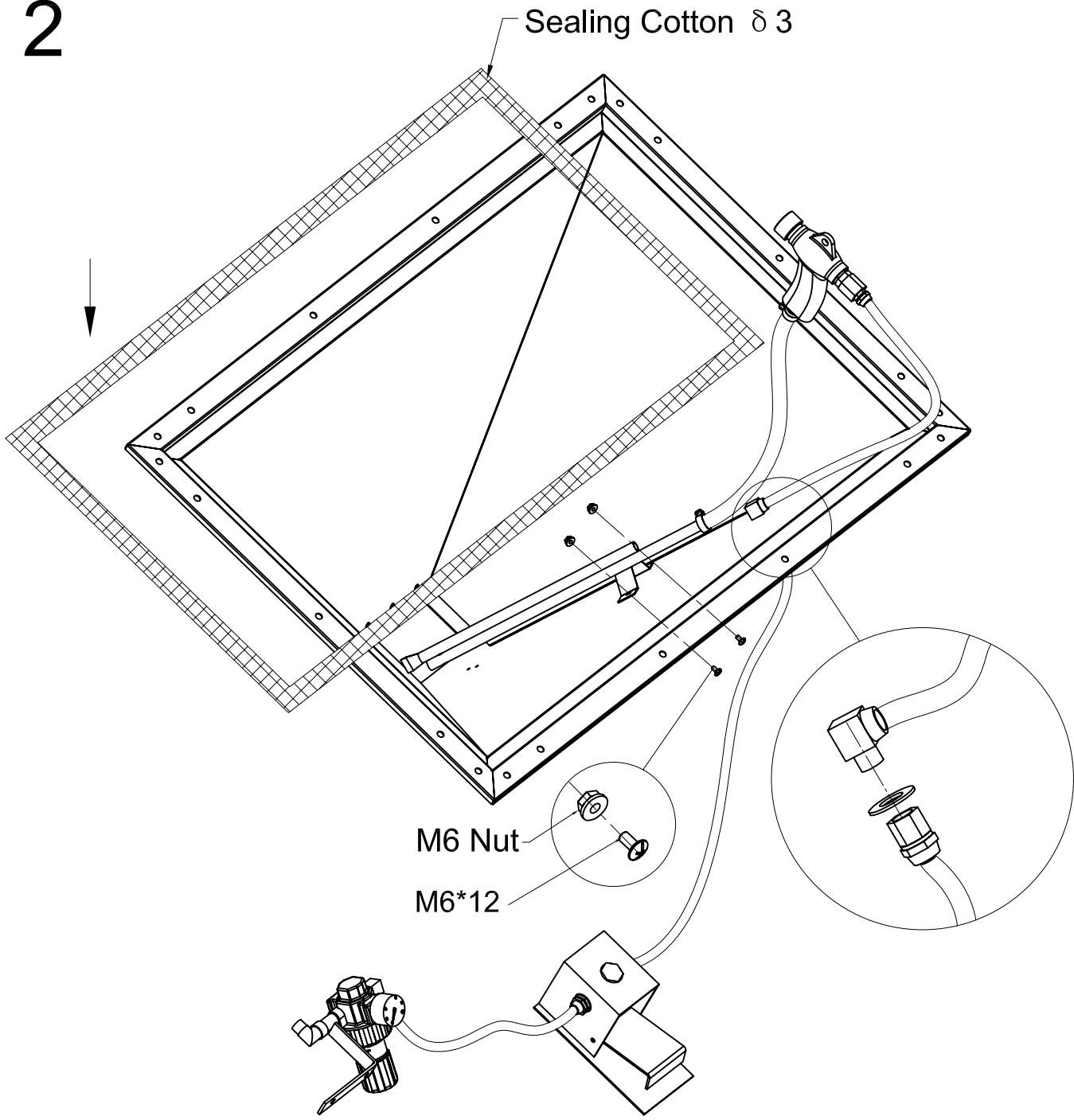
TIGHTEN SCREWS

HARDWARE USED

---

M6x12	SCREW	6	
M6	Nut	6	
M4x12mm	SCREW	4	
4	Flat Washer	4	
M4	Nut	4	

2







Sealing Cotton  $\delta$  3

M6 Nut

M6\*12

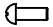
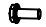






TIGHTEN SCREWS  
HARDWARE USED

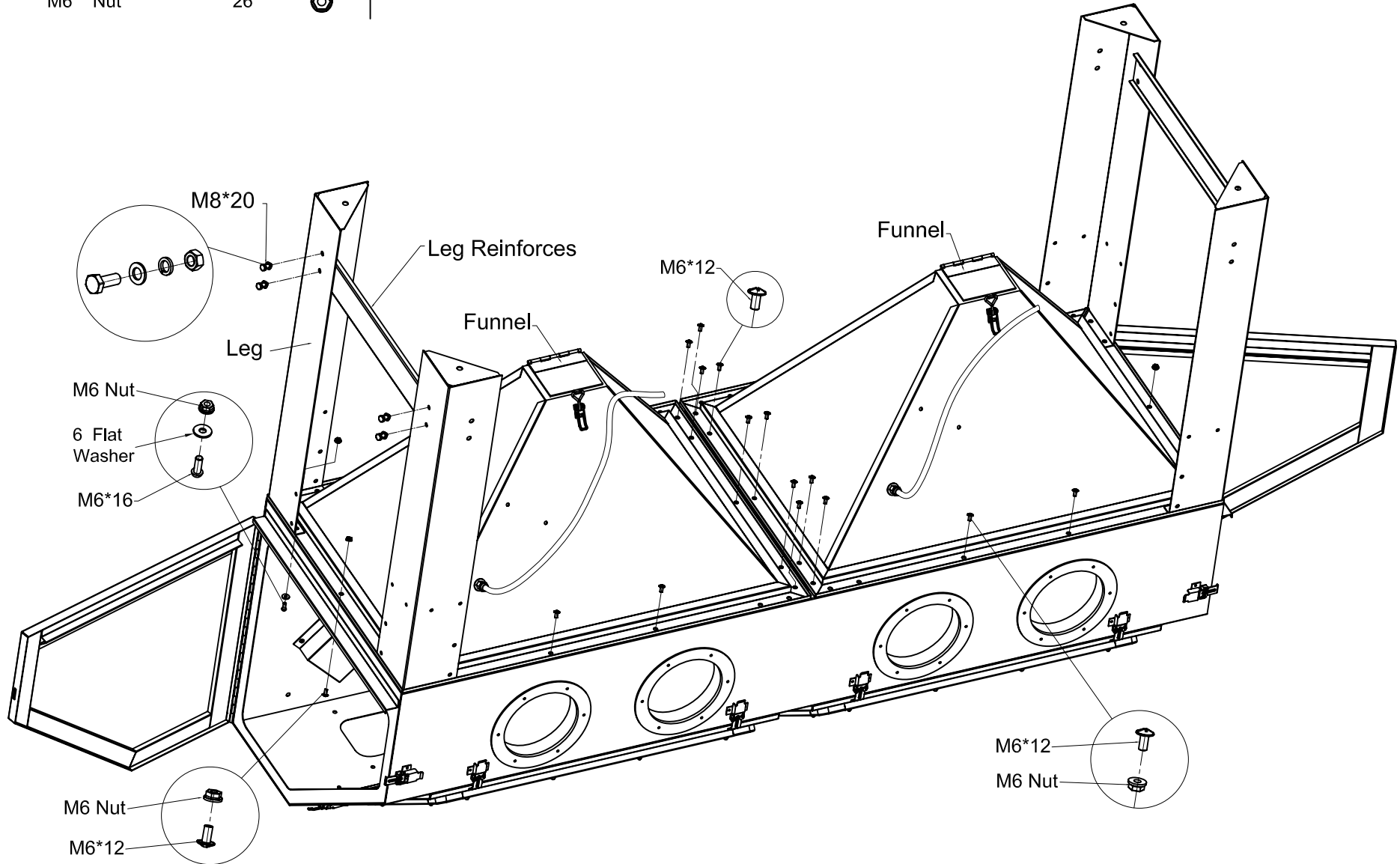
M6x12	SCREW	4	
M6	Nut	4	
Sealing Cotton	$\delta$ 3		
Nylon cable tie		2	

# 3

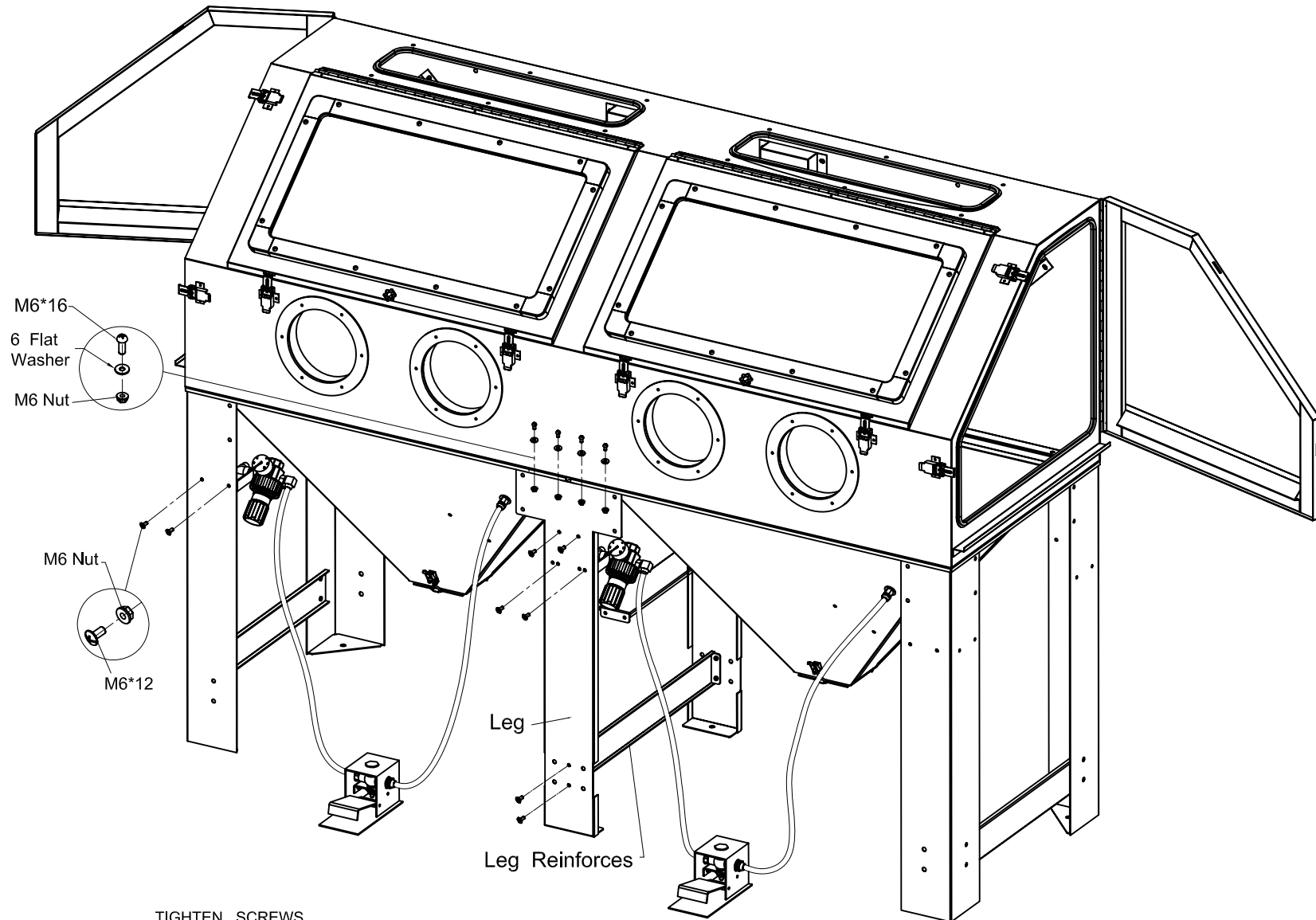
## TIGHTEN SCREWS

### HARDWARE USED

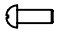



M6x16 SCREW	16		M8x20 SCREW	8	
6 Flat Washer	16		M8 Nut	8	
M6x12 SCREW	20		8 Flat Washer	8	
M6 Nut	26		8 Spring Washer	8	



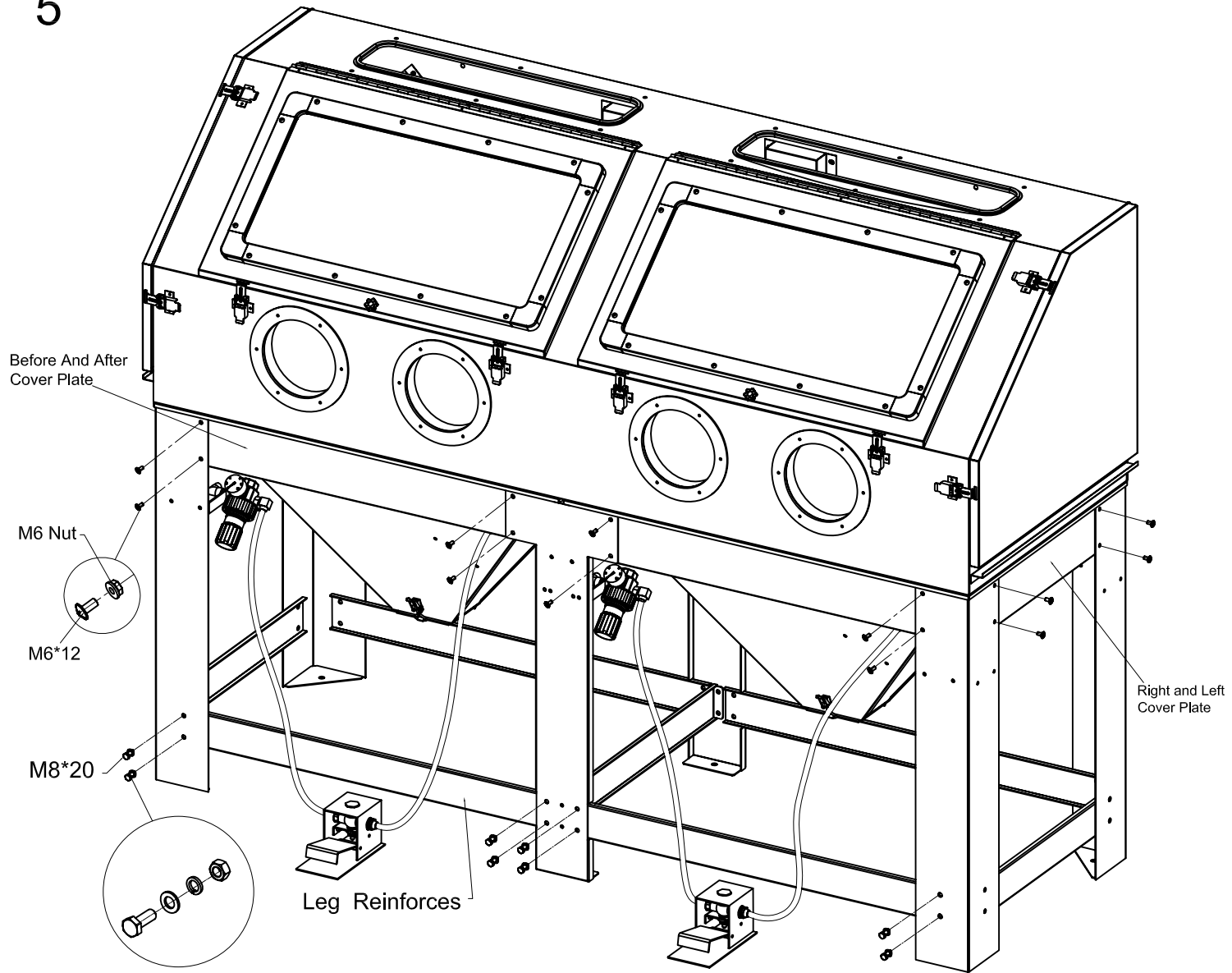
4




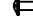




TIGHTEN SCREWS  
HARDWARE USED

M6x16	SCREW	8	
M6x12	SCREW	12	
6 Flat Washer		8	
M6 Nut		20	

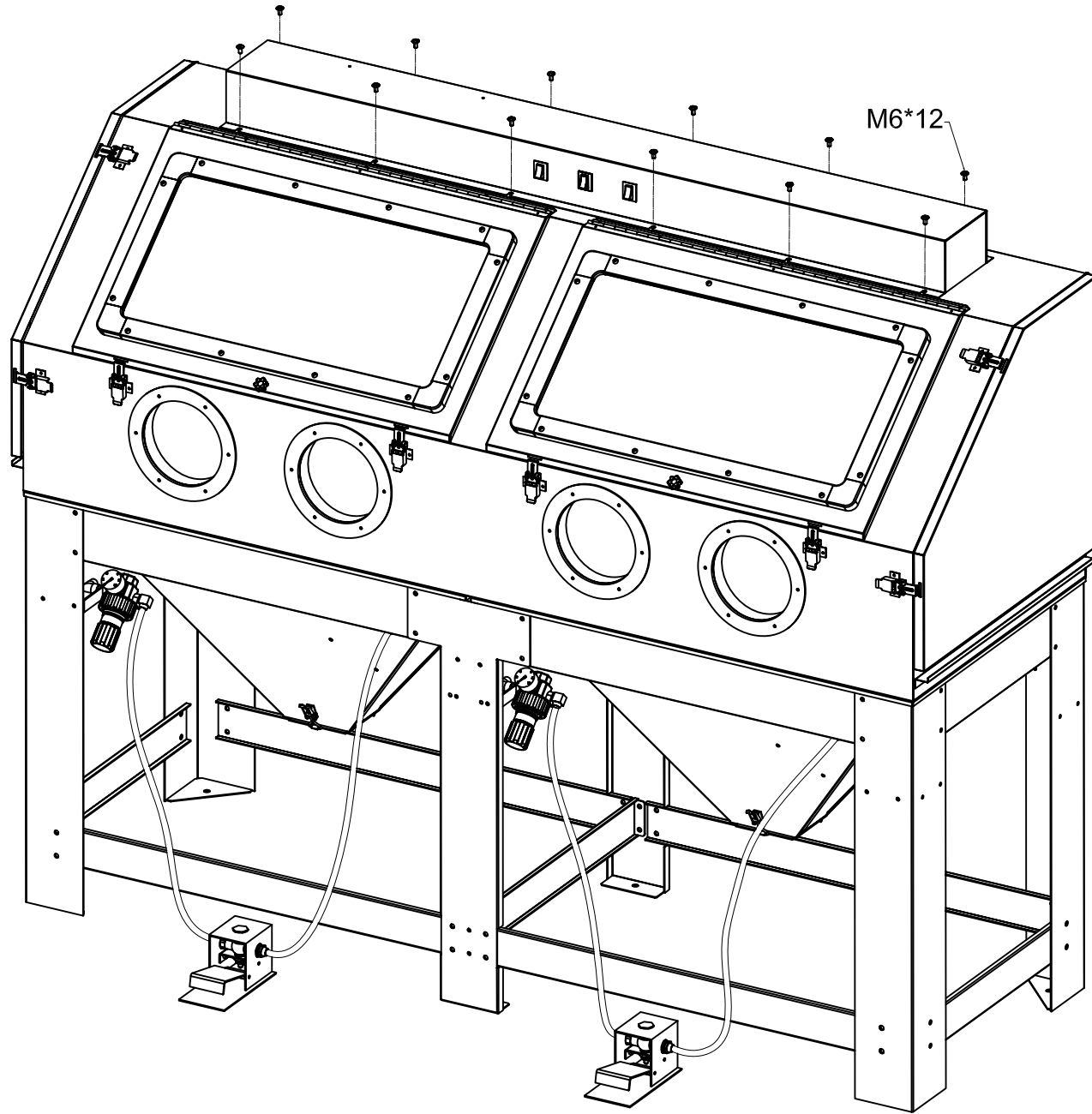
5



TIGHTEN SCREWS  
HARDWARE USED

M8x20 SCREW	16		M6x12 SCREW	24	
M8 Nut	16		M6 Nut	24	
8 Flat Washer	16				
8 Spring Washer	16				

6

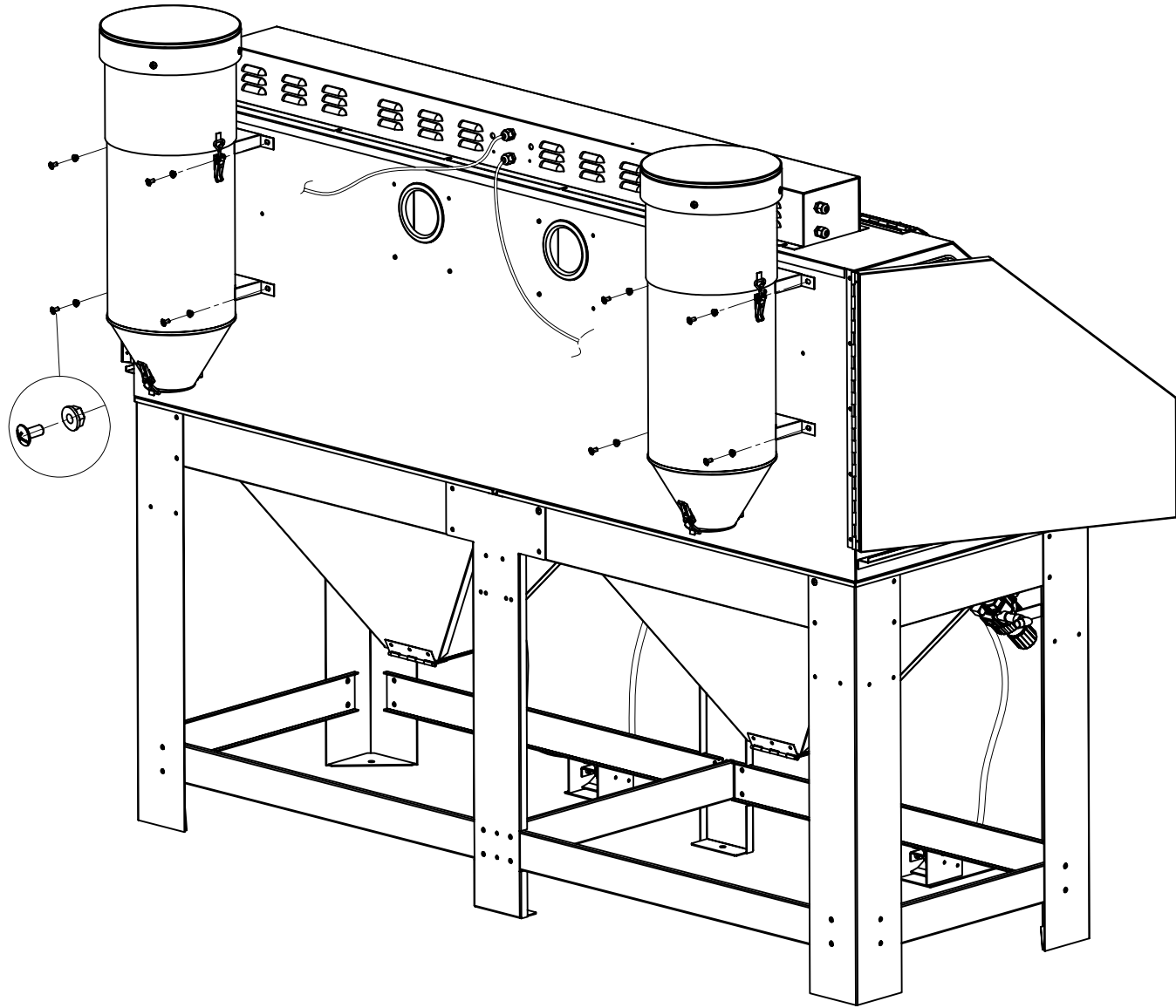


TIGHTEN SCREWS  
HARDWARE USED

M6x12 SCREW 12 





7



TIGHTEN SCREWS

HARDWARE USED

---

M6x12	SCREW	8	
M6	Nut	8	

8

