



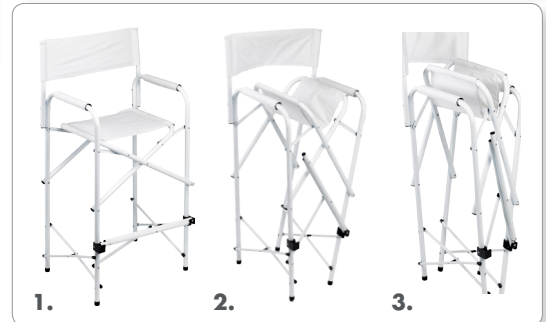
# DIRECTORS CHAIR SPEC SHEET



**THE MOST COMFORTABLE E-Z UP® CHAIR EVER!**

## Directors Chair STANDARD & TALL

The E-Z UP® Directors Chair complements any E-Z UP® portable shelter product set-up. The E-Z UP® Directors Chair has been specially engineered for durability, comfort and stability. Rest E-Z with a plain or imprinted folding Directors Chair.



### FEATURES

- Available Sizes: Standard and Tall
- Lightweight Aluminum Frame Construction
- Herringbone Professional Grade Fabric
- Improved Padded Armrest, Chair Back & Seat
- 225 lbs. (102.1 kg) Plus Weight Rating
- Includes Stylized Protective Carry Bag
- **1 Year Warranty**

### CUSTOM GRAPHIC OPTIONS

- Embroidery Size Up to 16" Wide and 5" High (40 cm x 13 cm)
- Up to 100,000 Stitches
- Single or Double Sided Script Embroidery

### EMBROIDERY FONTS

- Type 1 *Brush Script*
- Type 2 **CENTURY**
- Type 3 **HELVETICA BOLD**
- Type 4 *Script MS Bold*

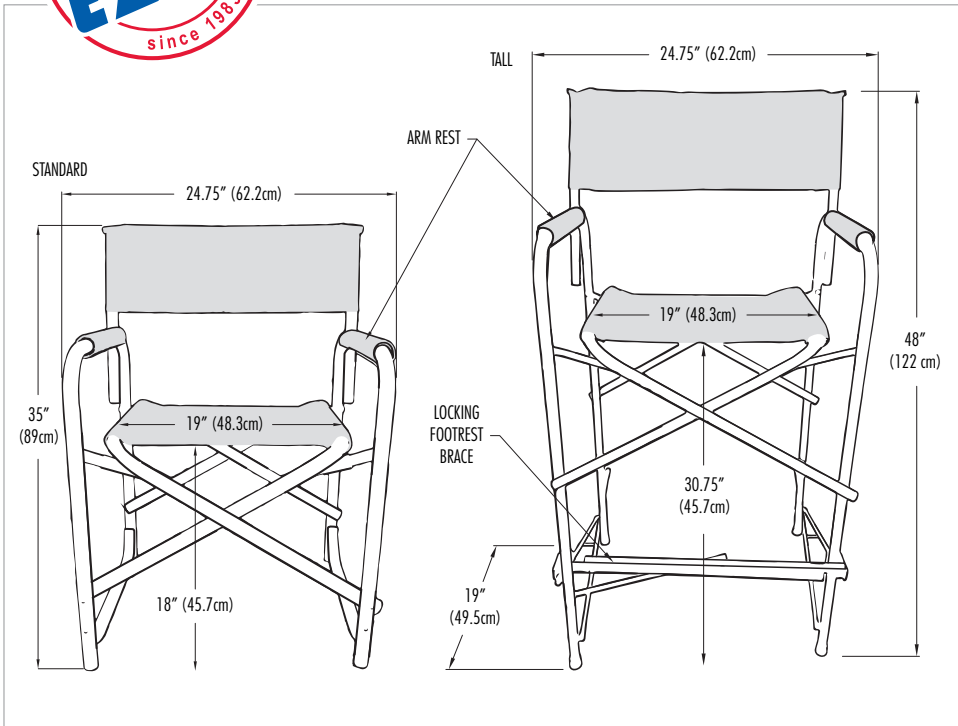
- Up to 2 Lines of Text (Same Font)
- Average Letters Per Line:
  - 2" (5 cm) High, 10 Letters
  - 1" (2.5 cm) High, 21 Letters
- Single or Double-Sided Graphic Imprint

### AVAILABLE COLORS





# DIRECTORS CHAIR SPEC SHEET



## SPECIFICATIONS

| SIZE                       | Standard   | Tall   |
|----------------------------|--|--|
| <b>COLOR OPTIONS</b>       | Black, Blue, Green, Red, Cyan, White   | Black, Blue, Green, Red, Cyan, White   |
| <b>DIMENSIONS</b>          | 24" (61 cm) Wide, 18" (46 cm) Deep<br>35" (90 cm) Back Height, 17.5" (44 cm) Seat Height | 24" (61 cm) Wide, 18" (46 cm) Deep<br>48" (1.2 m) Back Height, 31" (79 cm) Seat Height |
| <b>FRAME</b>               | Powder-Coated Aluminum   | Powder-Coated Aluminum   |
| <b>FABRIC</b>              | Professional Grade Fabric  | Professional Grade Fabric  |
| <b>PRODUCT INCLUDES</b>    | Chair, Chair Back & Protective Carry Bag   | Chair, Chair Back & Protective Carry Bag   |
| <b>ITEM WEIGHT</b>         | 7.4 lbs. (3.4kg)   | 9 lbs. (4 kg)  |
| <b>PACKAGE WEIGHT</b>      | 12 lbs. (5.4kg)  | 15 lbs. (6.8 kg)   |
| <b>BOX DIMENSIONS</b>      | 35.25" L x 20" W x 6.25" H (89 cm x 51 cm x 16 cm)                                       | 48.5" L x 20" W x 6.25" H (1.2 m x 56 cm x 16 cm)                                      |
| <b>MAXIMUM WEIGHT LOAD</b> | 225 lbs. (102.1 kg)  | 225 lbs. (102.1 kg)  |
| <b>WARRANTY</b>            | <b>1 Year</b>  | <b>1 Year</b>  |

## OTHER E-Z UP® INSTANT PRODUCTS...



Vendor Tables



Table Covers



Instant Table™

## RECOMMENDED USES

- Event Marketing
- Organizations
- Portable Signage
- Rental Industry
- Personal Services
- Instant Signage
- Business & Civic Events
- Trade Shows
- Commercial Use
- Advertisements
- Corporate Events
- Exhibit Booths

E-Z UP® products are built better. From the quality of the materials we use, to our best-practice manufacturing processes, an E-Z UP® shelter is built for years of reliable hassle-free use.

**International E-Z UP, Inc.**  
1900 Second Street  
Norco, California 92860  
(951) 279-0999 • FAX (800) 810-8775

TO ORDER:  
**(800) 45-SHADE**  
(800) 457-4233