



INSTALLATION INSTRUCTIONS



Stone-Shield Kit-91

Part Number: 03-STNSHDL-01

***Added Protection from 'Road Debris'
with Great Look & Style!***

Designed to fit all 91" wide Drop-Tail Trailer Models

WARNING

**BEFORE USE
PLEASE READ ALL WARNINGS AND
INSTRUCTIONS TO PREVENT SERIOUS INJURY**

Feature Information

- Designed to fit ALL 91" wide Drop-Tail Trailer Models
- Does not have to be removed from Trailer while in 'Stand-Up / Storage' configuration
- Allows for (optional) Tool Box mounting and functionality
- Heavy Duty Aluminum Diamond Plate Construction
- 20" Height from Trailer Deck
- Full 'main' Deck Width Coverage
- All Hardware & Tools included for Installation
- Easy Bolt-On installation.
- Lightweight durable Construction

Specifications

- Aluminum Diamond Plate Panels & Center Plate - (.100 thickness)
- Overall 'Installed' Dimensions - 74"W x 20"H

NOTE

ALL TOOLS PROVIDED IN KIT FOR INSTALLATION.



Installation Instructions

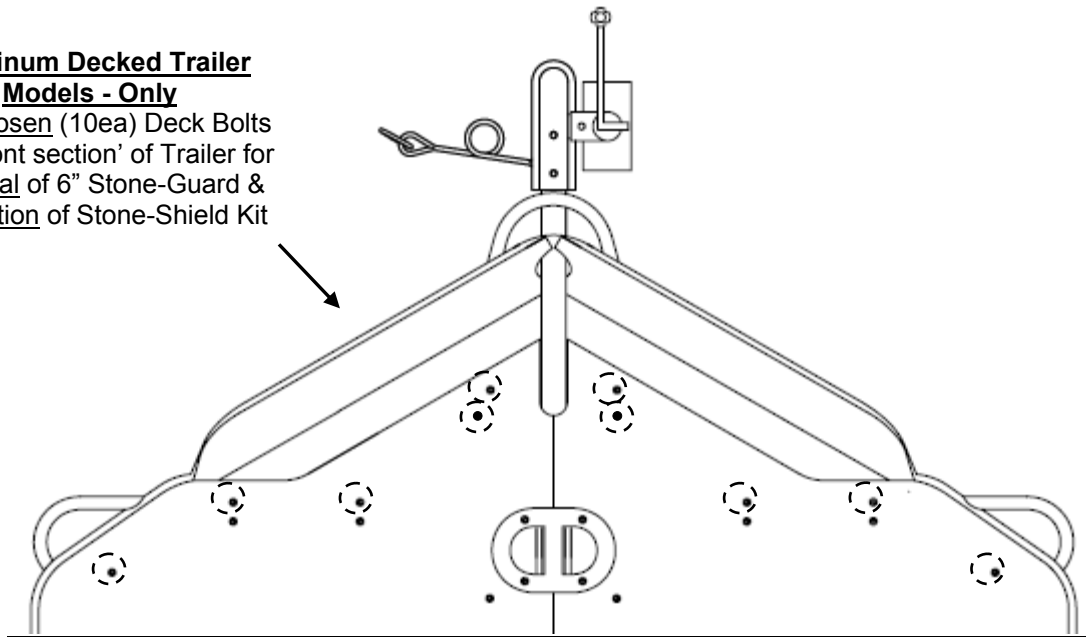
WARNING

ENSURE STONE-SHIELD PANELS ARE SECURED TIGHTLY TO TRAILER FRAME FOR PROPER FUNCTION.

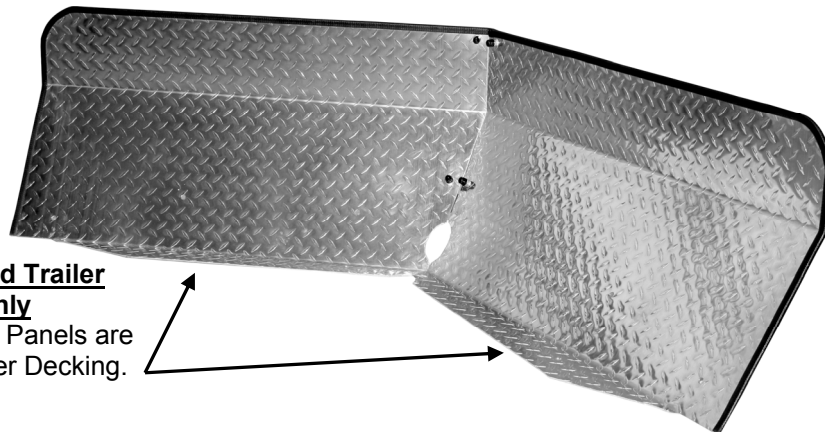
1. Carefully unpack contents from box and check for missing or broken parts.
(If any parts are found to be missing or broken, please contact Drop-Tail Trailers @ 877-284-9008.)
2. Remove any Cycle Chock(s) and/or Tool Box, if already mounted to Trailer.
3. Remove all (10ea) Frame Clamps that secure 6" Stone-Guard from Trailer, if installed.
4. Aluminum Decked Trailer Models only: Loosen (10ea) Deck Bolts from front section of trailer to remove existing 6" Stone-Guard and for installation of Stone-Shield - (as shown below)

Aluminum Decked Trailer Models - Only

Must loosen (10ea) Deck Bolts from 'front section' of Trailer for Removal of 6" Stone-Guard & Installation of Stone-Shield Kit



5. Carefully remove 6" Stone-Guard Panels from Trailer, if installed.
6. Install the DS Stone-Shield Panel (#2) by placing bottom lip under the Trailer Decking. (NOTE: Ensure Deck Bolts are loosened in order to easily fit Panels under Trailer decking)
7. Repeat the same for the PS Stone-Shield Panel (#3). Ensure Panels are centered on Trailer.

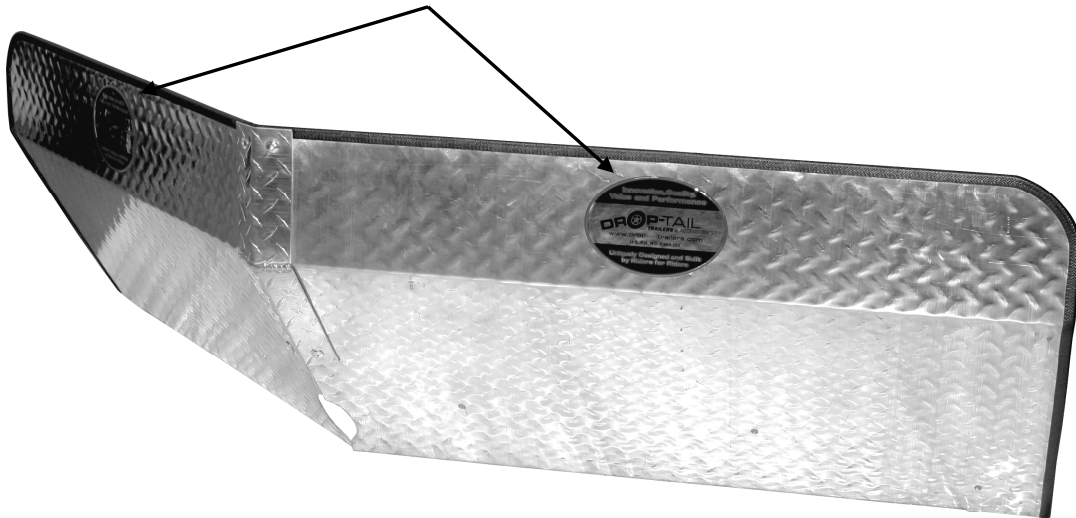


Aluminum Decked Trailer Models - Only

Ensure Stone-Shield Panels are installed under Trailer Decking.

Installation Instructions - Con't

8. Install the Center Aluminum Plate Weldment (#1) to connect the Stone-Shield Panels together using 4ea Hex Screws (#6), Flat Washer (#6) & Nylon Lock Nuts (#7).
9. Secure 4ea Plastic Caps (#11) over Nylon Nuts for Center Plate Weldment (#1).
10. Secure Stone-Shield to Trailer Frame using 10ea Frame Cletes (#8), Hex Head Screws (#9), Flat Washer (#6) & Nylon Lock Nuts (#7). (See Exploded View for details)
 - 5ea Frame connections per Panel - 2ea on bottom & 3ea on upper sections.(NOTE: Ensure Panels are secured tightly against Trailer Frame!)
11. Aluminum Decked Trailer Models only: Ensure to Tighten the (10ea) Trailer Deck Bolts previously loosened to install Stone-Shield Kit.
12. Place Drop-Tail oval Decals 'centered' on each upper Panel sections as shown.



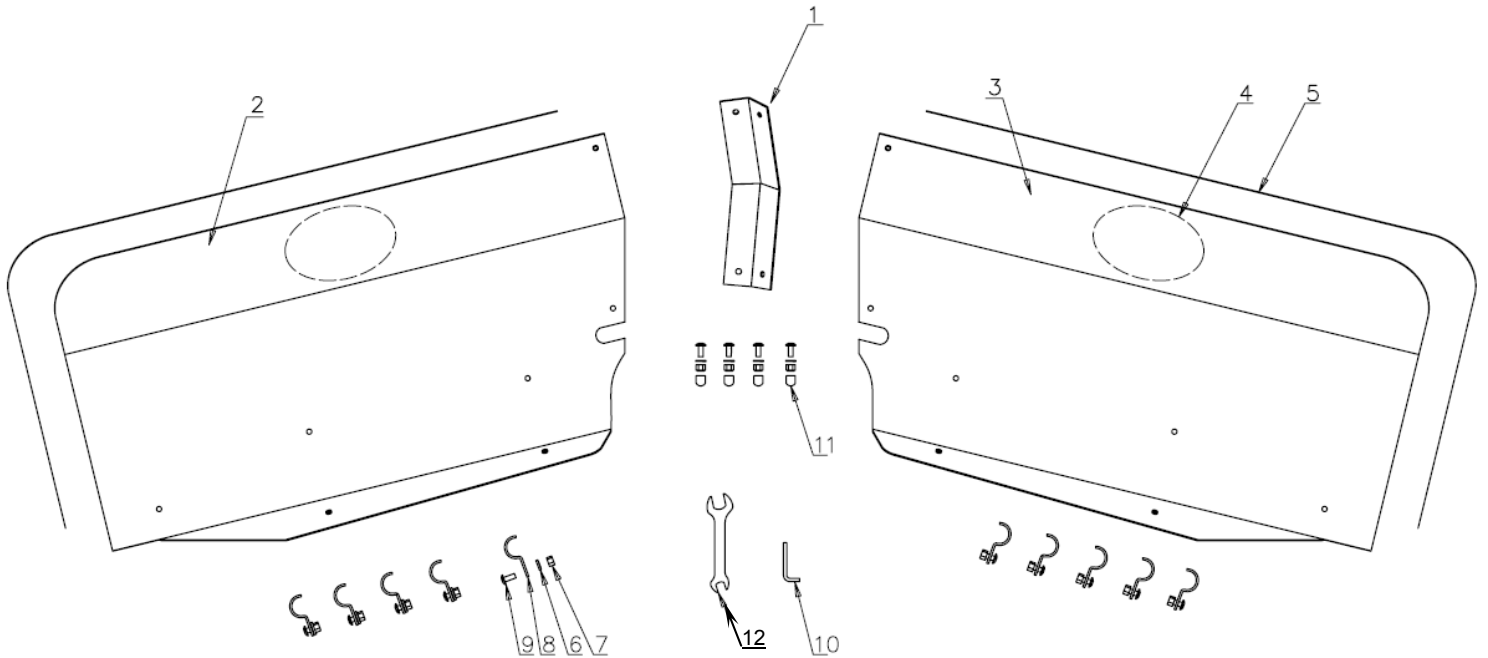
Installed Stone-Shield Kit-91 with 'optional' Tool Box on 'Two-Up' Cruiser / Sport Bike Trailer



Exploded View / Parts List

Stone-Shield Kit-91

P/n 03-STNSHDL-01



PARTS LIST

ITEM	P/N	DESCRIPTION	QTY
1	DT2200-2028E	Center Aluminum Plate Weldment	1
2	DT2200-2028C	DS - Aluminum Panel, Stone-Shield-91	1
3	DT2200-2028D	PS - Aluminum Panel, Stone-Shield-91	1
4	03-DTHRC-DEC	Decal, DT Large Oval	2
5	92251520B	Rubber Trim, Stone-Shield-91 (1520mm long)	2
6	30080002W	Flat Washer ϕ 8mm	14
7	41080002W	Nylon Lock Nut - M8	14
8	92000322W	Frame 'Clete' Clamp ϕ 32mm, Vinyl coated	10
9	27080202W	Hex Head Pan Screw, M8 x 20mm	14
10	03-TAWRC-01	DT 'Allen' Hex Wrench - 5mm	1
11	92115162B	Plastic Cap	4
12	03-TOWRC-01	DT Open End Wrench	1



Limited Warranty Policy

Limited Warranty Periods:

- **Trailers & Accessories:** 1 Year (12 months) from the original date of purchase.
- **Hydraulic Cylinders, Rams, Hose Assemblies, and Fittings:** 2 Years (24 months) from the date of purchase.
- **Sub-Component Items:** Many sub-component items are warranted separately by the respective manufactures and are covered by warranty of their manufacturer. Examples of such items may include tie-down systems, wheels, tires, axles, bearings, lights, straps, chain, hardware and other like items. The sub-components original manufactures product warranty supersedes and takes precedence over this limited warranty policy.

NOTE: ALL WARRANTY CLAIMS MUST BE PREAPPROVED BY THE MANUFACTURER (THE COMPANY) TO BE VALID.

Products are warranted to be free of defects in materials and/or workmanship for the warranty period. Under this limited warranty, the Company shall be limited to repairing or replacing, at its option, for the warranty period, those parts returned to the factory, freight prepaid, which in the opinion of the Company shall prove to be defective in materials or workmanship, under normal use and service. This warranty will not apply unless the product is installed, used and maintained in accordance with the Manufacturers installation, operation and maintenance instructions.

This warranty applies to the **ORIGINAL** purchaser only, and is non-transferable. The Company warrants the products to be free of defects in material and workmanship but, does not cover normal maintenance or adjustments, damage or malfunction caused by: improper handling, installation, abuse, misuse, negligence, carelessness of operation or normal wear and tear. In addition, this warranty does not cover equipment when repairs or alterations have been made or attempted without the express written consent of the company. Product repairs not covered by the warranty, and product updates, will be provided at the prevailing rate.

The Company is not responsible for damage caused by accident, negligence, abuse, overloading, misapplication, or misuse of the products. It is solely the purchaser's responsibility to determine the suitability of these products for the particular application. **Limitations:** All other obligations or liabilities, including incidental or consequential damages or contingent liabilities arising out of the failure of any parts to operate properly are hereby excluded, including but not limited to any damages resulting from loss of use, inconvenience, loss of time, commercial loss, or any other type of damages general or specific, foreseen or unforeseen, unless applicable state law provides otherwise.

THIS WARRANTY IS EXCLUSIVE AND IS IN LIEU OF ALL OTHER WARRANTIES EXPRESSED OR IMPLIED INCLUDING ANY IMPLIED WARRANTY OR MERCHANTABILITY OR ANY IMPLIED WARRANTY OF FITNESS FROM A PARTICULAR PURPOSE, AND ALL SUCH IMPLIED WARRANTIES ARE EXPRESSLY EXCLUDED.

THE REMEDIES DESCRIBED ARE EXCLUSIVE AND IN NO EVENT SHALL THE COMPANY, NOR ANY SALES AGENT OR OTHER COMPANIES AFFILIATED WITH IT OR THEM, BE LIABLE FOR SPECIAL CONSEQUENTIAL OR INCIDENTAL DAMAGES FOR THE BREACH OF OR DELAY IN PERFORMANCE OF THIS WARRANTY. THIS INCLUDES, BUT IS NOT LIMITED TO, LOSS OF PROFIT, RENTAL OR SUBSTITUTE EQUIPMENT OR OTHER COMMERCIAL LOSS.

This warranty shall be governed by the laws of the State of Texas, and shall be subject to the exclusive jurisdiction of the Court in the State of Texas in the County of Tarrant.

RETURNS: Products may not be returned without written approval (Return Material Authorization) from the Company.

Drop Tail Trailer & Accessories. LLC
Rev04152008