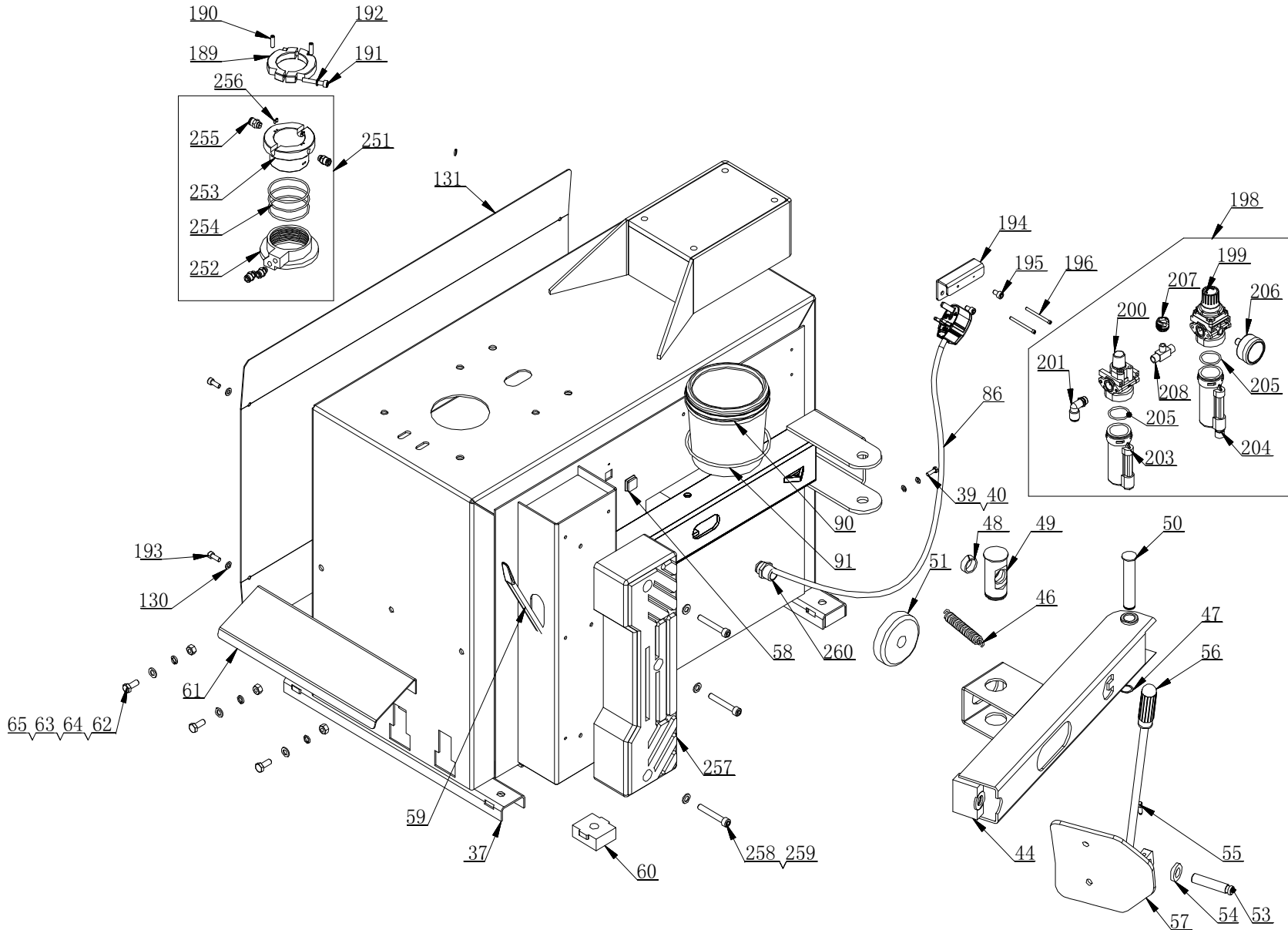




# KERNEL ITEM NO.103819B

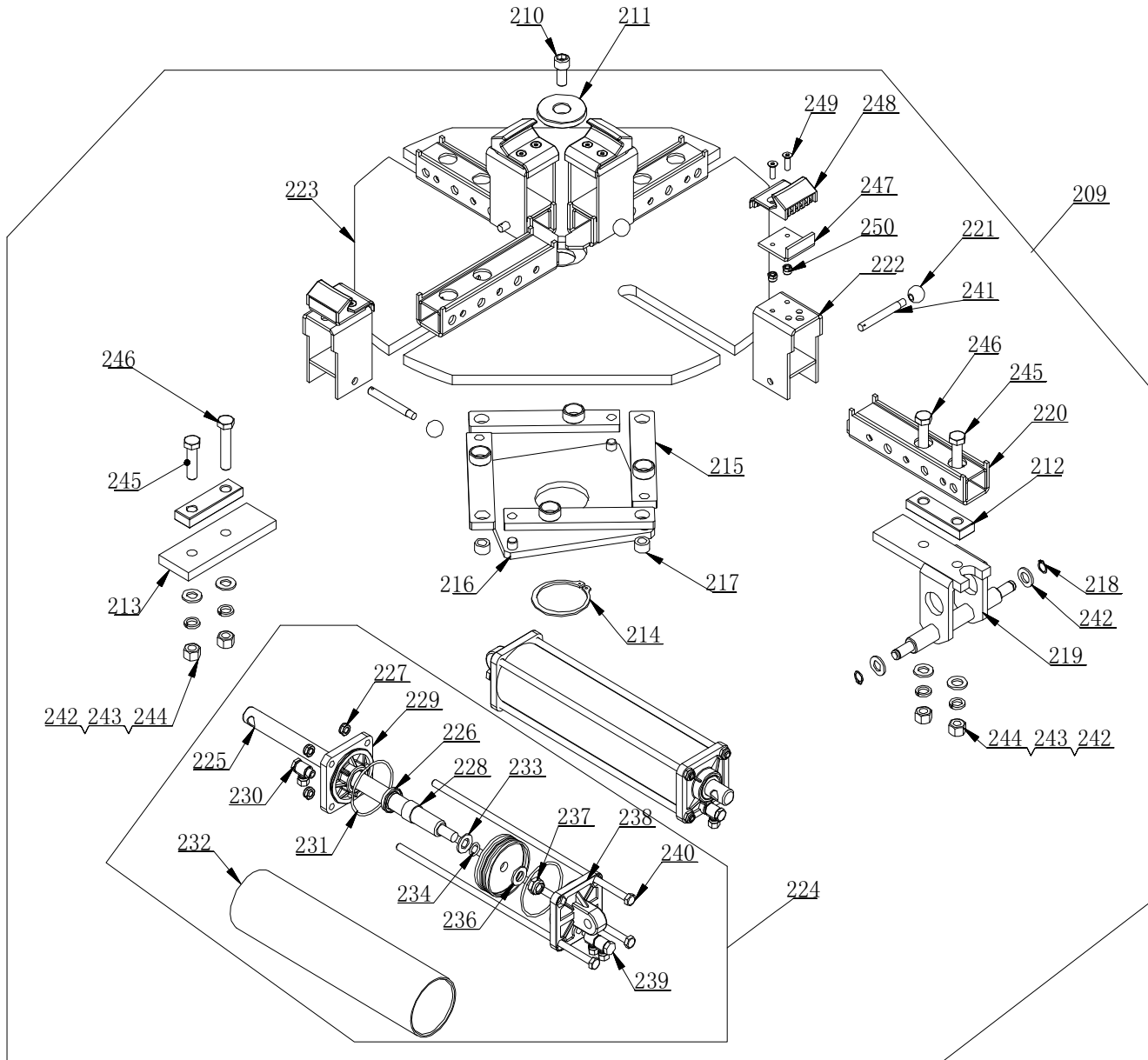
Kernel Edition 1.0  
Apr.2012





# KERNEL ITEM NO.103819B

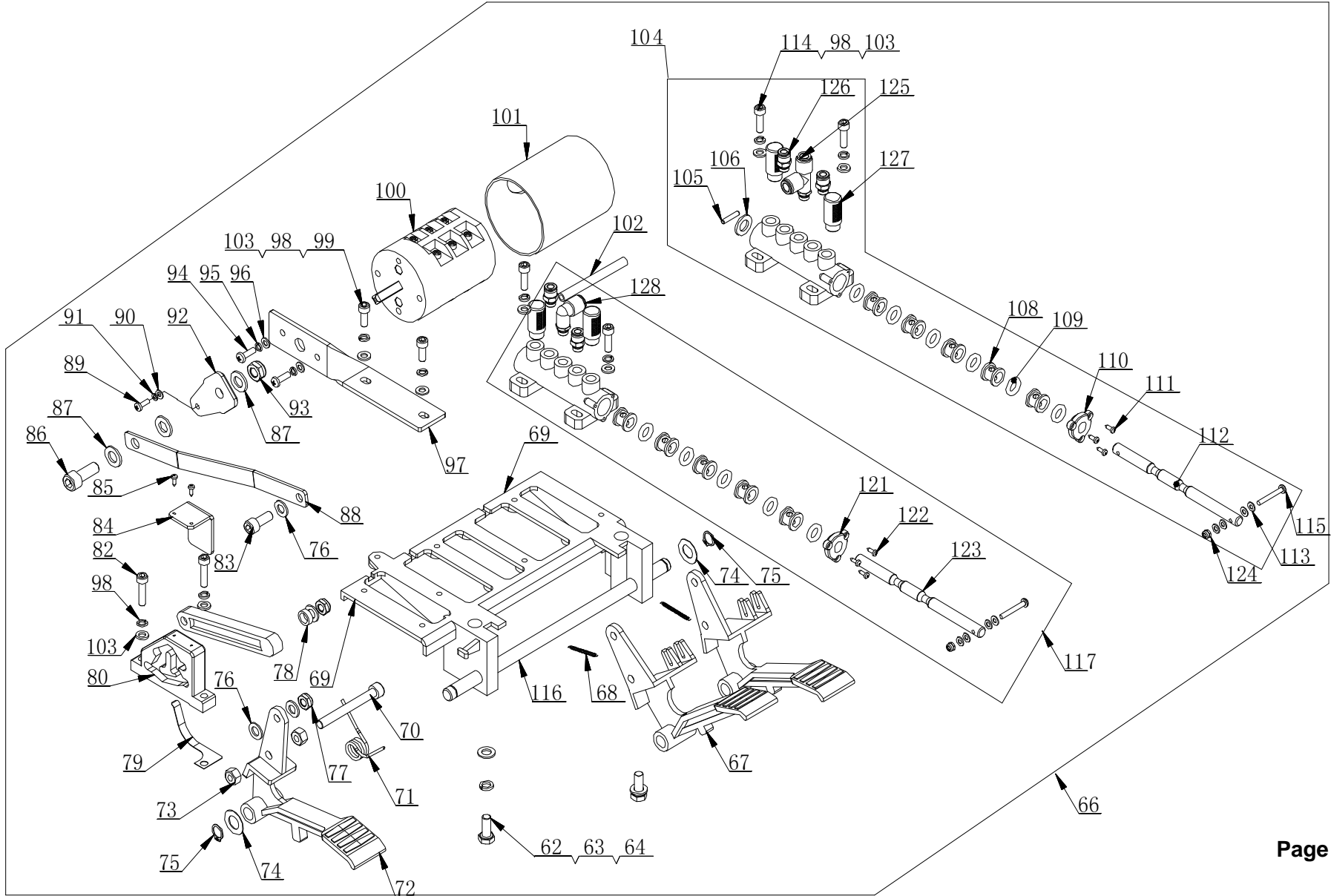
Kernel Edition 1.0  
Apr.2012





# KERNEL ITEM NO.103819B

Kernel Edition 1.0  
Apr.2012

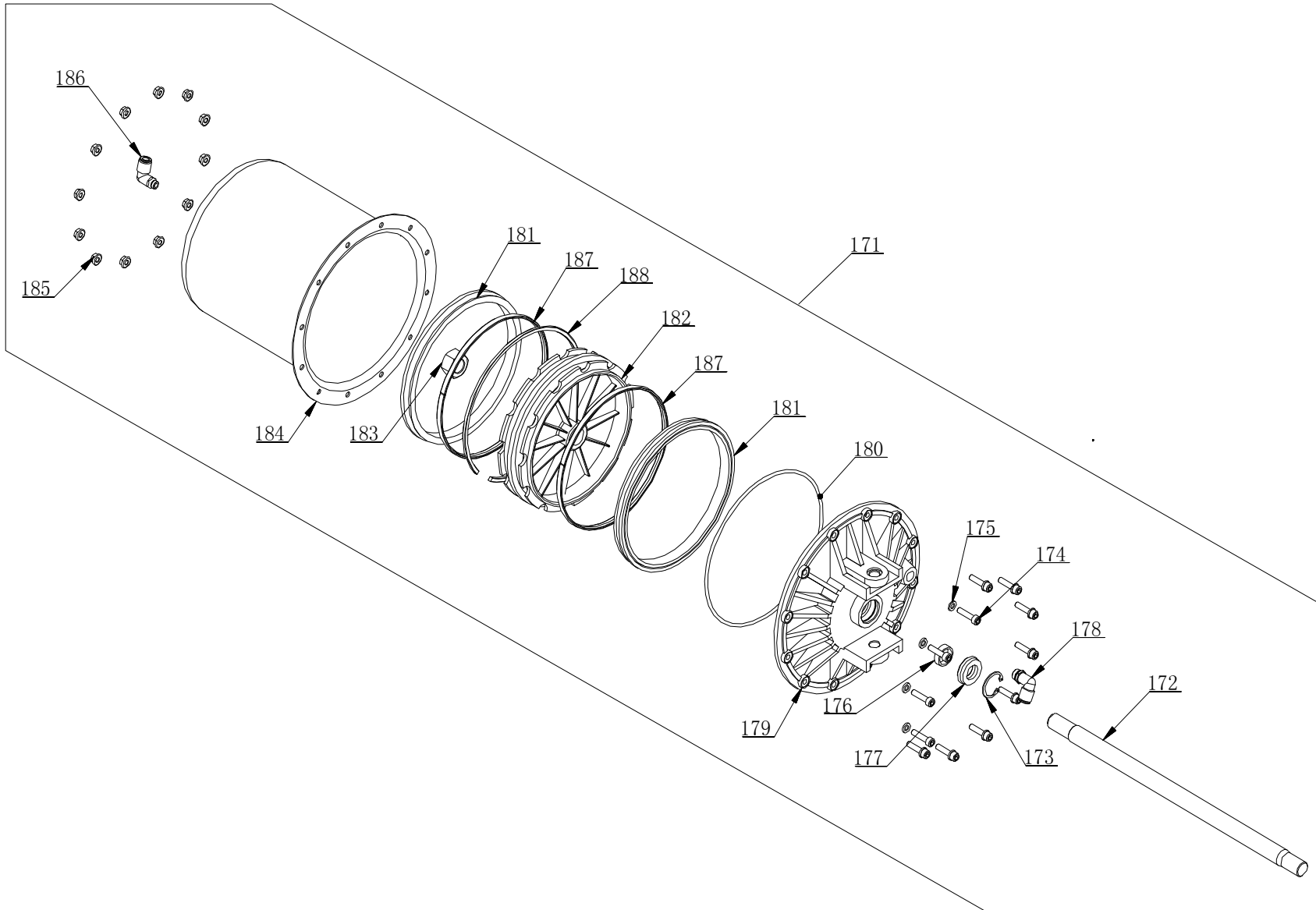




# KERNEL ITEM NO.103819B

Kernel Edition 1.0  
Apr.2012

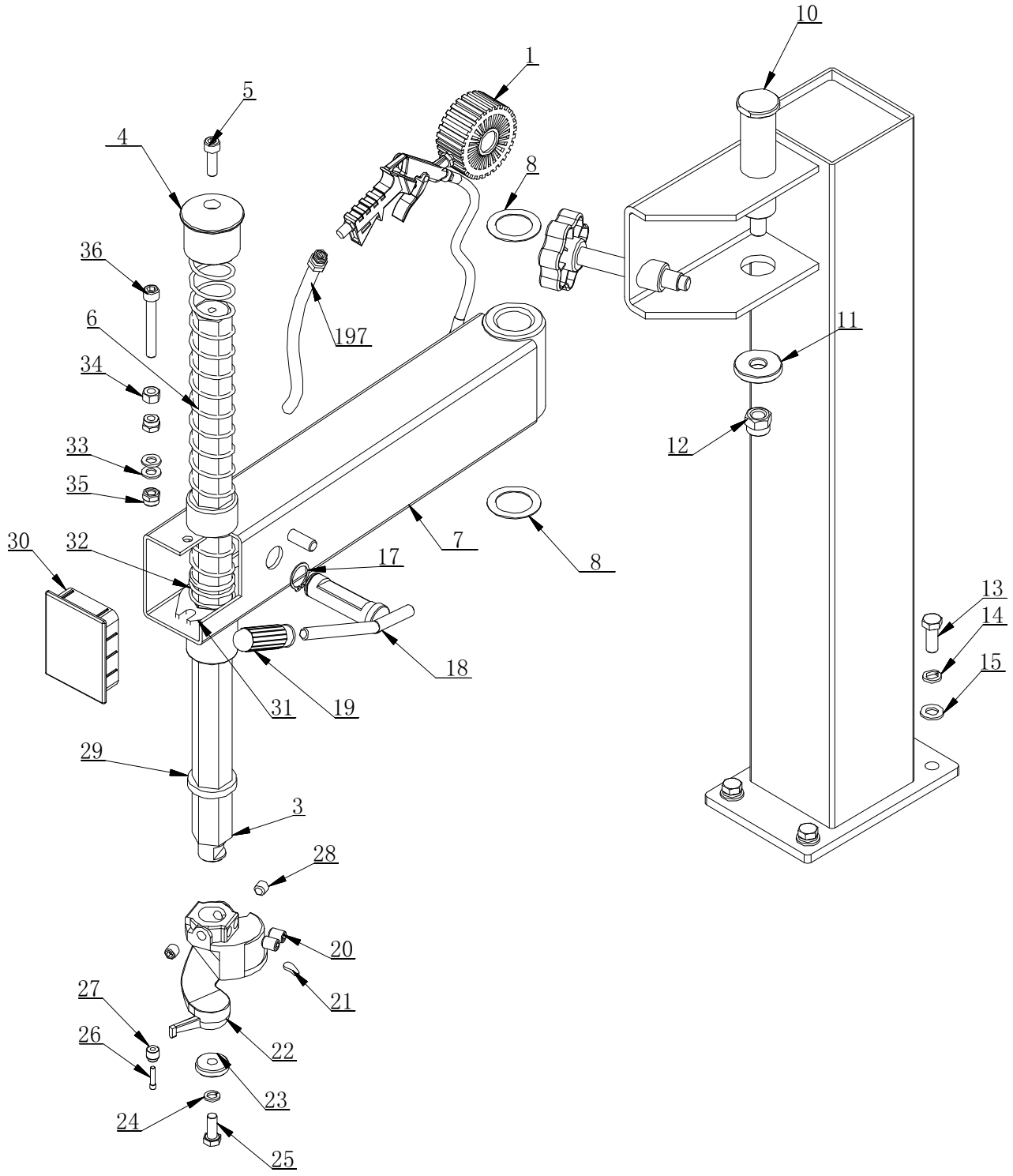
REVISION





# KERNEL ITEM NO.103819B

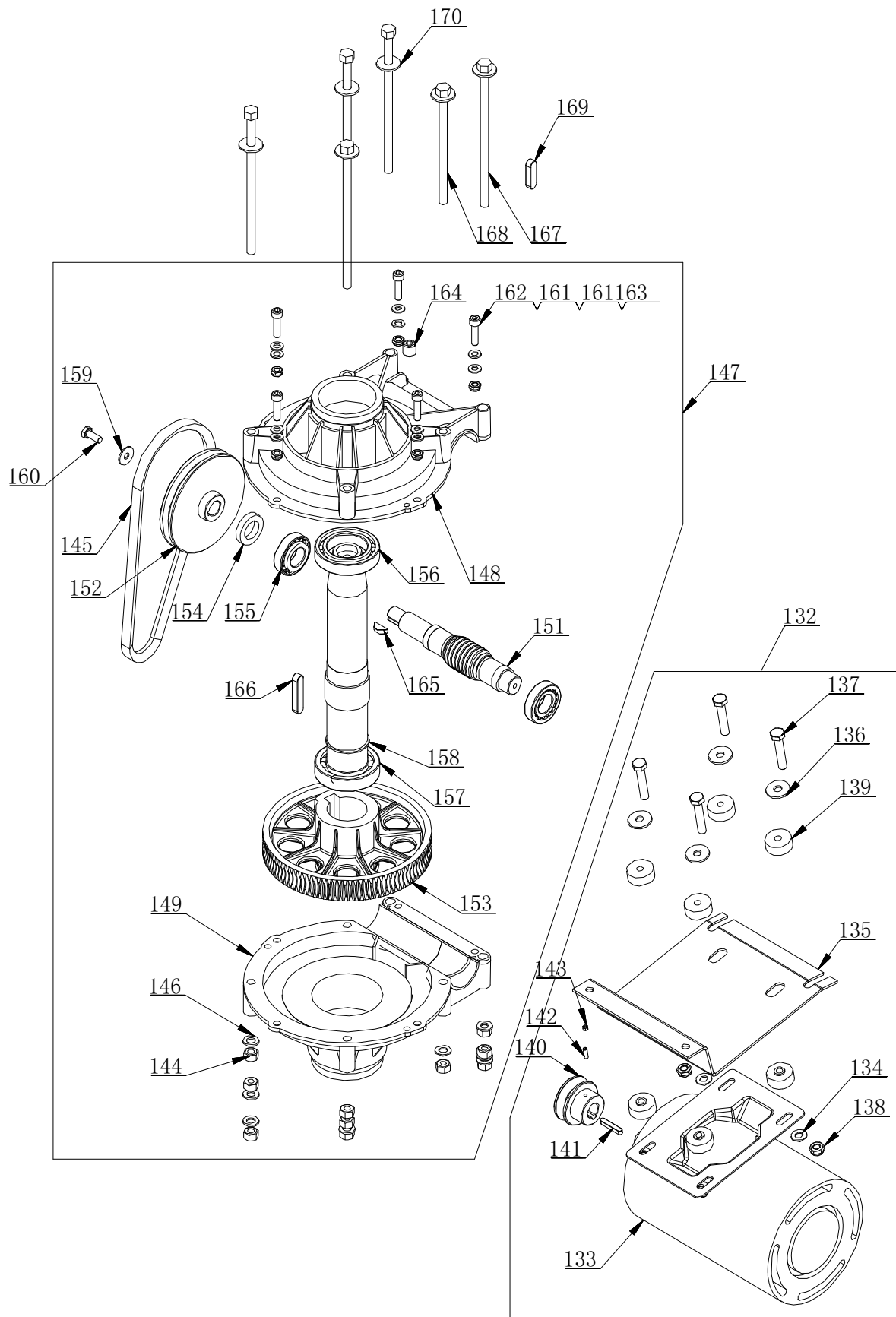
Kernel Edition 1.0  
Apr.2012





# KERNEL ITEM NO.103819B

Kernel Edition 1.0  
Apr.2012





# KERNEL ITEM NO.103819B

Kernel Edition 1.0  
Apr.2012

## Spare Parts List

ITEM	CODE	DESCRIPTION	QTY
1	103819B*00-001	INFLATING GUN	1
2	103819B*00-002	TILTING ARM ASSEMBLY	1
3	103819B*00-003	HEXAGON SHAFT	1
4	103819B*00-004	VERTICAL SHAFT COVER	1
5	103819B*00-005	SCREW	1
6	103819B*00-006	VERTICAL SHAFT SPRING	1
7	103819B*00-007	SWING ARM	1
8	103819B*00-008	ADJUSTING WASHER	2
9	103819B*00-009	HANDLE WHEEL	1
10	103819B*00-010	ROCKER VERTICAL SHAFT	1
11	103819B*00-011	SHAFT WASHER	1
12	103819B*00-012	NUT	1
13	103819B*00-013	BOLT	4
14	103819B*00-014	WASHER	4
15	103819B*00-015	WASHER	4
16	103819B*00-016	VERTICAL COLUMN	1
17	103819B*00-017	CIRCLIP	1

ITEM	CODE	DESCRIPTION	QTY
18	103819B*00-018	LOCK HANDLE	1
19	103819B*00-019	RUBBER COVER	1
20	103819B*00-020	SCREW	2
21	103819B*00-021	PLASTIC COVER	1
22	103819B*00-022	DEMOUNTING HEAD	1
23	103819B*00-023	PRESSWASHER	1
24	103819B*00-024	WASHER	1
25	103819B*00-025	BOLT	1
26	103819B*00-026	ROLLER BOLT	1
27	103819B*00-027	ROLLER	1
28	103819B*00-028	SCREW	2
29	103819B*00-029	Shock Absorber Washer	1
30	103819B*00-030	DECORATING COVER	1
31	103819B*00-031	HEXAGON LOCK PLATE	1
32	103819B*00-032	VERTICAL SHAFT SPRING	1
33	103819B*00-033	WASHER	2
34	103819B*00-034	NUT	1

ITEM	CODE	DESCRIPTION	QTY
35	103819B*00-035	NUT	2
36	103819B*00-036	SCREW	1
37	103819B*00-037	BODY	1
38	103819B*00-038	CABLE	1
39	103819B*00-039	BOLT	1
40	103819B*00-040	WASHER	2
41	103819B*00-41	GREASECONTAINER	1
42	103819B*00-42	BRACKET	1
43	103819B*00-43	Bead Breaking Arm Assembly	1
44	103819B*00-44	BEAD BREAKING ARM	1
45	103819B*00-45	CIRCLIP	1
46	103819B*00-46	SPRING	1
47	103819B*00-47	CIRCLIP	1
48	103819B*00-48	SLIDE SPACER	1
49	103819B*00-49	SLIDE BUSHING	1
50	103819B*00-50	BACK PIN SHAFT	1
51	103819B*00-51	RUBBER PLATE	1



# KERNEL ITEM NO.103819B

Kernel Edition 1.0  
Apr.2012

## Spare Parts List

ITEM	CODE	DESCRIPTION	QTY
52	103819B*00-52	BEAD BREAKER BLADE	1
53	103819B*00-53	ROTATION SPINDLE	1
54	103819B*00-54	WASHER	1
55	103819B*00-55	SCREWS	1
56	103819B*00-56	RUBBER COVER	1
57	103819B*00-57	BEAD BREAKER BLADE	1
58	103819B*00-58	RUBBER BLOCK	1
59	103819B*00-59	CROWBAR	1
60	103819B*00-60	RUBBER FOOT	4
61	103819B*00-061	Protective over	1
62	103819B*00-062	BOLT	5
63	103819B*00-063	WASHER	5
64	103819B*00-064	WASHER	5
65	103819B*00-065	NUT	3
66	103819B*00-066	PEDAL ASEMBLY	1
67	103819B*00-067	PEDAL	2
68	103819B*00-068	EXT.SPRING,PEDAL	2
69	103819B*00-069	BRACKET-VLVE,SWTCH	1

ITEM	CODE	DESCRIPTION	QTY
70	103819B*00-070	SCREW	1
71	103819B*00-071	SPRING-TRSN	1
72	103819B*00-072	PEDAL	1
73	103819B*00-073	NUT	2
74	103819B*00-074	WASHER	2
75	103819B*00-075	CIRCLIP	2
76	103819B*00-076	WASHER	4
77	103819B*00-077	NUT	2
78	103819B*00-078	SPACER	1
79	103819B*00-079	FORK SPRING PLATE	1
80	103819B*00-080	CAM	1
81	103819B*00-081	VALVE CONNECTING ROD	1
82	103819B*00-082	SCREW	2
83	103819B*00-083	SCREW	1
84	103819B*00-084	CAM PLATE	1
85	103819B*00-085	SCREW	2
86	103819B*00-086	SCREW	1
87	103819B*00-087	WASHER	3

ITEM	CODE	DESCRIPTION	QTY
88	103819B*00-088	SWITCH CONNECT PLATE	1
89	103819B*00-089	SCREW	1
90	103819B*00-090	WASHER	1
91	103819B*00-091	WASHER	1
92	103819B*00-092	REVERSE LEVER	1
93	103819B*00-093	NUT	1
94	103819B*00-094	SCREW	2
95	103819B*00-095	WASHER	2
96	103819B*00-096	WASHER	2
97	103819B*00-097	SWITCH BASE LATE	1
98	103819B*00-098	WASHER	8
99	103819B*00-099	SCREW	2
100	103819B*00-100	SWITCH	1
101	103819B*00-101	SWITCH COVER	1
102	103819B*00-102	HOSE	1
103	103819B*00-103	WASHER	8
104	103819B*00-104	VALVE	1
105	103819B*00-105	PIN	1





# KERNEL ITEM NO.103819B

Kernel Edition 1.0  
Apr.2012

## Spare Parts List

ITEM	CODE	DESCRIPTION	QTY	ITEM	CODE	DESCRIPTION	QTY	ITEM	CODE	DESCRIPTION	QTY
106	103819B*00-106	WASHER	1	124	103819B*00-124	NUT	2	142	103819B*00-142	SCREW	1
107	103819B*00-107	VALVE	1	125	103819B*00-125	FITTING-TEE	1	143	103819B*00-143	NUT	1
108	103819B*00-108	SPACER	5	126	103819B*00-126	INSERT FITTING	2	144	103819B*00-144	NUT	14
109	103819B*00-109	RING	6	127	103819B*00-127	MUFFLER	4	145	103819B*00-145	BELT	1
110	103819B*00-110	VALVE COVER	1	128	103819B*00-128	INSERT ELBOW	1	146	103819B*00-146	WASHER	14
111	103819B*00-111	SCREW	3	129	103819B*00-129	INSERT FITTING	2	147	103819B*00-147	GEARBOX ASSEMBLY	1
112	103819B*00-112	VALVE ROD	1	130	103819B*00-130	WASHER	4	148	103819B*00-148	GEARBOX UPPER COVER	1
113	103819B*00-113	WASHER	8	131	103819B*00-131	SIDE PANEL	1	149	103819B*00-149	GEARBOX BOTTOM COVER	1
114	103819B*00-114	SCREW	4	132	103819B*00-132	MOTOR ASSEMBLY	1	150	103819B*00-150	WORM SHAFT	1
115	103819B*00-115	SCREW	2	133	103819B*00-133	MOTOR	1	151	103819B*00-151	WORM ROD	1
116	103819B*00-116	SHAFT-RTTN,PDL	1	134	103819B*00-134	WASHER	4	152	103819B*00-152	BELT PULLEY	1
117	103819B*00-117	VALVE	1	135	103819B*00-135	MOTOR SUPPORT	1	153	103819B*00-153	WORM WHEEL	1
118	103819B*00-118	VALVE	1	136	103819B*00-136	WASHER	4	154	103819B*00-154	SEALED RING	1
119	103819B*00-119	SPACER	5	137	103819B*00-137	BOLT	4	155	103819B*00-155	ROLLING BEARING	2
120	103819B*00-120	RING	6	138	103819B*00-138	NUT	4	156	103819B*00-156	ROLLING BEARING	1
121	103819B*00-121	VALVE COVER	1	139	103819B*00-139	RUBBER WASHER	8	157	103819B*00-157	ROLLING BEARING	1
122	103819B*00-122	SCREW	3	140	103819B*00-140	MOTOR BELT PULLEY	1	158	103819B*00-158	CIRCLIP	1
123	103819B*00-123	VALVE ROD	1	141	103819B*00-141	PLAIN KEY	1	159	103819B*00-159	WASHER	1



# KERNEL ITEM NO.103819B

Kernel Edition 1.0  
Apr.2012

## Spare Parts List

ITEM	CODE	DESCRIPTION	QTY
160	103819B*00-160	BOLT	1
161	103819B*00-161	WASHER	10
162	103819B*00-162	SCREW	5
163	103819B*00-163	NUT	5
164	103819B*00-164	SCREW	1
165	103819B*00-165	PLAIN KEY	1
166	103819B*00-166	PLAIN KEY	1
167	103819B*00-167	BOLT	4
168	103819B*00-168	BOLT	2
169	103819B*00-169	PLAINKEY	1
170	103819B*00-170	WASHER	6
171	103819B*00-171	Bead reaker Cylinder Assy	1
172	103819B*00-172	SHAFT-CLYNDR	1
173	103819B*00-173	CIRCLIP	1
174	103819B*00-174	SCREW	12
175	103819B*00-175	WASHER	12
176	103819B*00-176	GUIDER SPACER	1

ITEM	CODE	DESCRIPTION	QTY
177	103819B*00-177	Y-RING	1
178	103819B*00-178	INSERT ELBOW	1
179	103819B*00-179	CYLINDER COVER	1
180	103819B*00-180	O-RING	1
181	103819B*00-181	Y-RING	2
182	103819B*00-182	PISTON	1
183	103819B*00-183	NUT	1
184	103819B*00-184	CYLINDER BODY	1
185	103819B*00-185	NUT	12
186	103819B*00-186	INSERT ELBOW	1
187	103819B*00-187	CLAMP RING	2
188	103819B*00-188	PISTION SUPPORT RING	1
189	103819B*00-189	CLAMP RING	1
190	103819B*00-190	SCREW	2
191	103819B*00-191	SCREW	2
192	103819B*00-192	WASHER	2
193	103819B*00-193	SCREW	4

ITEM	CODE	DESCRIPTION	QTY
194	103819B*00-194	AIR REGULATOR BRACKET	1
195	103819B*00-195	SCREW	2
196	103819B*00-196	SCREW	2
197	103819B*00-197	INFLAING HOSE	1
198	103819B*00-198	AIR REGULATOR ASEMBLY	1
199	103819B*00-199	TOP OF WATER CUP	1
200	103819B*00-200	TOP OF OIL CUP	1
201	103819B*00-201	INSERT ELBOW	1
202	103819B*00-202	SCREW	2
203	103819B*00-203	OIL CUP	1
204	103819B*00-204	WATER CUP	1
205	103819B*00-205	RING	2
206	103819B*00-206	PRESSURE GAUGE	1
207	103819B*00-207	OPEN NUT	1
208	103819B*00-208	TEE	1
209	103819B*00-209	TURNTABLE ASSEMBLY	1
210	103819B*00-210	SCREW	1



# KERNEL ITEM NO.103819B

Kernel Edition 1.0  
Apr.2012

## Spare Parts List

ITEM	CODE	DESCRIPTION	QTY
211	103819B*00-211	PRESS COVER	1
212	103819B*00-212	LATERAL GUIDER	4
213	103819B*00-213	PRESS PLATE	2
214	103819B*00-214	CIRCLIP	1
215	103819B*00-215	CONNECTION PLATE	4
216	103819B*00-216	SQUARE TURNTABLE	1
217	103819B*00-217	SPACER	4
218	103819B*00-218	CIRCLIP	4
219	103819B*00-219	CYLINDER BRACKET	2
220	103819B*00-220	SLIDER	4
221	103819B*00-221	HANDLE BALL	4
222	103819B*00-222	BRACKET	4
223	103819B*00-223	PLATE	1
224	103819B*00-224	CYLINDER ASSEMBLY	2
225	103819B*00-225	SHAFT-CYLNDR	1
226	103819B*00-226	SEAL-ROD,CYLNDR	1
227	103819B*00-227	NUT	4

ITEM	CODE	DESCRIPTION	QTY
228	103819B*00-228	BEARING-SLIDE	1
229	103819B*00-229	FRONT COVER	1
230	103819B*00-230	HINGE ELBOW	1
231	103819B*00-231	RING	2
232	103819B*00-232	SLEEVE-CYLNDR	1
233	103819B*00-233	WASHER	1
234	103819B*00-234	RING	1
235	103819B*00-235	PISTON-W/WSHR,ASSY	1
236	103819B*00-236	WASHER	1
237	103819B*00-237	NUT	1
238	103819B*00-238	REAR COVER	1
239	103819B*00-239	HINGE TEE	1
240	103819B*00-240	BOLT	4
241	103819B*00-241	CONNECTION ROD	4
242	103819B*00-242	WASHER	12
243	103819B*00-243	WASHER	8
244	103819B*00-244	NUT	8

ITEM	CODE	DESCRIPTION	QTY
245	103819B*00-245	BOLT	4
246	103819B*00-246	BOLT	4
247	103819B*00-247	PANEL	4
248	103819B*00-248	CLAMP	4
249	103819B*00-249	SCREW	8
250	103819B*00-250	NUT	8
251	103819B*00-251	ROTATING UNION	1
252	103819B*00-252	Air Guide External Cover	1
253	103819B*00-253	Air Guide Rotation Bushing	1
254	103819B*00-254	RING	3
255	103819B*00-255	INSERT FITTING	4
256	103819B*00-256	SCREW	4
257	103819B*00-257	RUBBER PAD PLATE	1
258	103819B*00-258	SCREW	3
259	103819B*00-259	WASHER	3
260	103819B*00-260	CABLE LOCK	1