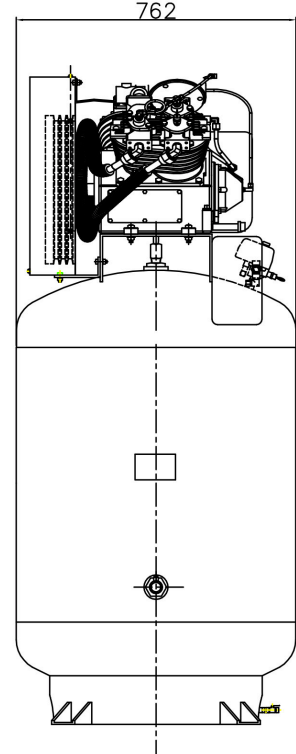
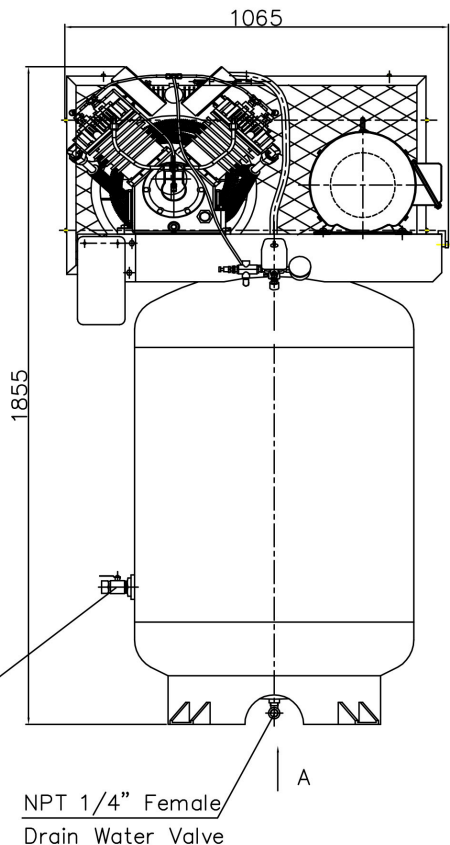
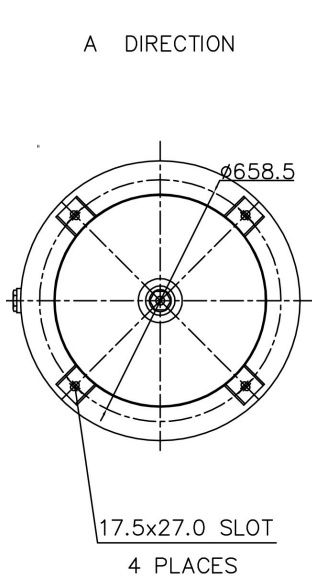




Model #: V120101-452
Part #: L001123

TRADE SECRET- CONFIDENTIAL AND PROPRIETARY
 EXCLUSIVELY OWNED BY LAPLANTE COMPRESSOR, LTD.
 ANY COPYING, USE, OR DISCLOSURE WITHOUT THE WRITTEN PERMISSION
 OF LAPLANTE COMPRESSOR, LTD. IS STRICTLY PROHIBITED. THIS
 MATERIAL IS PROTECTED UNDER TRADE SECRET AND UNFAIR
 COMPETITION LAWS. THE EXPRESSION OF THE INFORMATION IS
 PROTECTED UNDER FEDERAL COPYRIGHT LAWS. VIOLATIONS MAY
 RESULT IN CIVIL AND CRIMINAL FINES AND PENALTIES.



- SPECIFICATIONS:**
- Pump:**
- ◆ Type: LP452
 - ◆ Cylinders: 4
 - ◆ LP Bore: 4.75" / 121 mm
 - ◆ HP Bore: 2.5" / 63.5 mm
 - ◆ Stroke: 3" / 76 mm
 - ◆ RPM: 652
 - ◆ Flywheel: 18" / 457.25 mm
 - ◆ Belts: 3B78
- Motor:**
- ◆ Size: 10 HP / 7.5 Kw
 - ◆ Frame: 215T
 - ◆ Voltage: 208-230
 - ◆ Phase: Single
 - ◆ Frequency: 60 Hz
 - ◆ Amps: 37.8-43
 - ◆ RPM: 1750
- Tank:**
- ◆ Vertical 120 Gal / 454.4 L
 - ◆ Max Pressure: 200 PSI
 - ◆ ASME Certified
- Controls:**
- ◆ Pilot Valve
 - ◆ Pressure Switch
 - ◆ IEC Rated Magnetic Starter

CFM Piston Displacement	ACFM	ACFM	ACFM
40.5	@ 125 PSI	@ 150 PSI	@ 175 PSI
	33.30	32.40	30.82

Standard Packaging Weight:
 Single Piece: 839 lbs./ 381 Kg
 Crated: 985 lbs./ 447 Kg

Container Quantities:
 20': 12 Units
 40': 28 Units



Address: 1830 W. 15th Street Houston, TX 77008
 Telephone: (713) 635-6291
 Email: sales@kelloggcompressor.com
 Website: www.KelloggCompressor.com