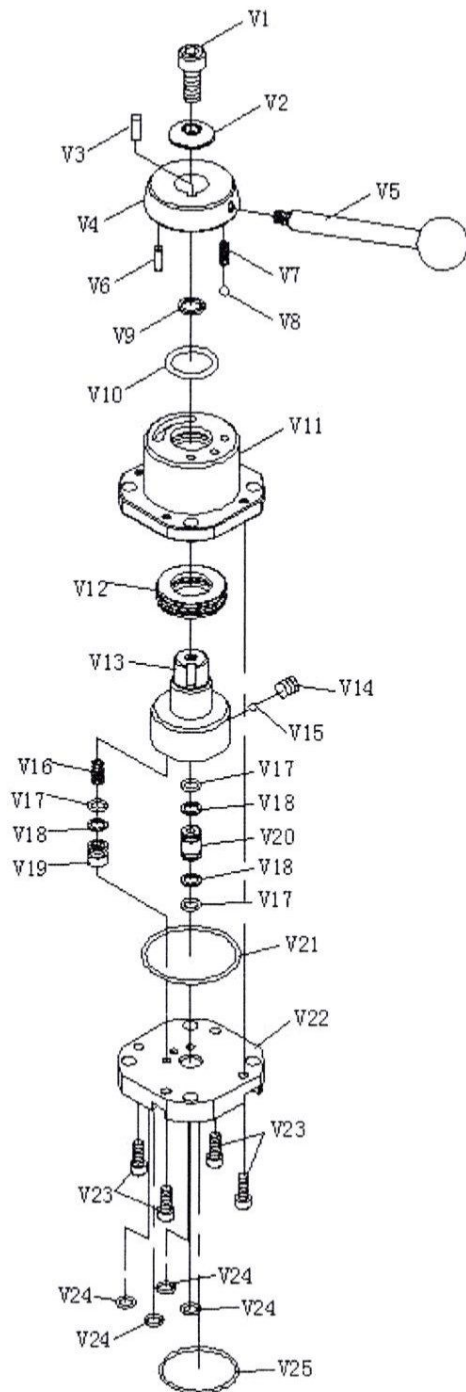


## 6. Parts List of Manual Selector Valve



| No. | Description              | Qty. |
|-----|--------------------------|------|
| V1  | Hexagon Screw            | 1    |
| V2  | T Washer                 | 1    |
| V3  | Key                      | 1    |
| V4  | Moving Cover             | 1    |
| V5  | Handle                   | 1    |
| V6  | Pin                      | 1    |
| V7  | Spring                   | 1    |
| V8  | Steel Ball               | 1    |
| V9  | Copper Washer            | 1    |
| V10 | O-Ring                   | 1    |
| V11 | Valve Jacket             | 1    |
| V12 | Ball Bearing             | 1    |
| V13 | Valve Plug               | 1    |
| V14 | Hexagon Socket Set Screw | 1    |
| V15 | Steel Ball               | 1    |
| V16 | Spring                   | 1    |
| V17 | O-Ring                   | 3    |
| V18 | PTFE Washer              | 3    |
| V19 | Slide Valve              | 1    |
| V20 | Connector                | 1    |
| V21 | O-Ring                   | 1    |
| V22 | Valve Plate              | 1    |
| V23 | Hexagon Screw            | 4    |
| V24 | O-Ring                   | 4    |
| V25 | O-Ring                   | 1    |